

N°		m <sup>2</sup>
1	<0.6 m	46.5 m <sup>2</sup>
2	0.8 m	12 m <sup>2</sup>
3	1.1 m	8 m <sup>2</sup>

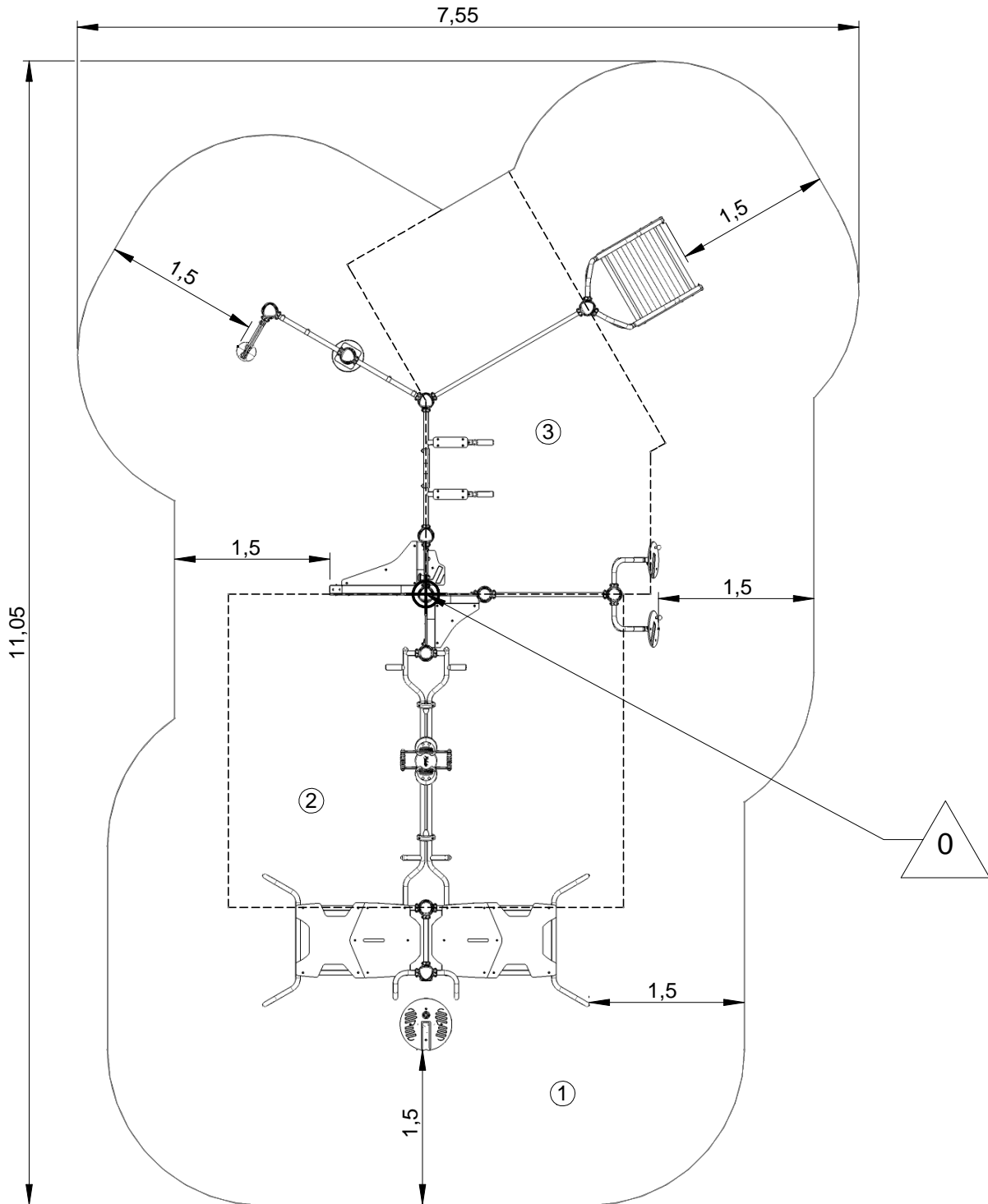
— Zone d'impact  
Impact area  
Area de impacto  
Fallraum  
Valzone

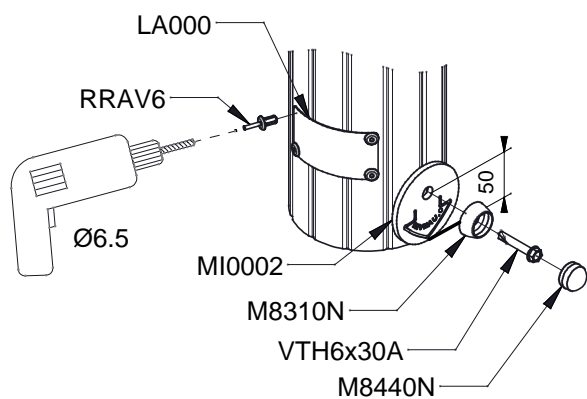
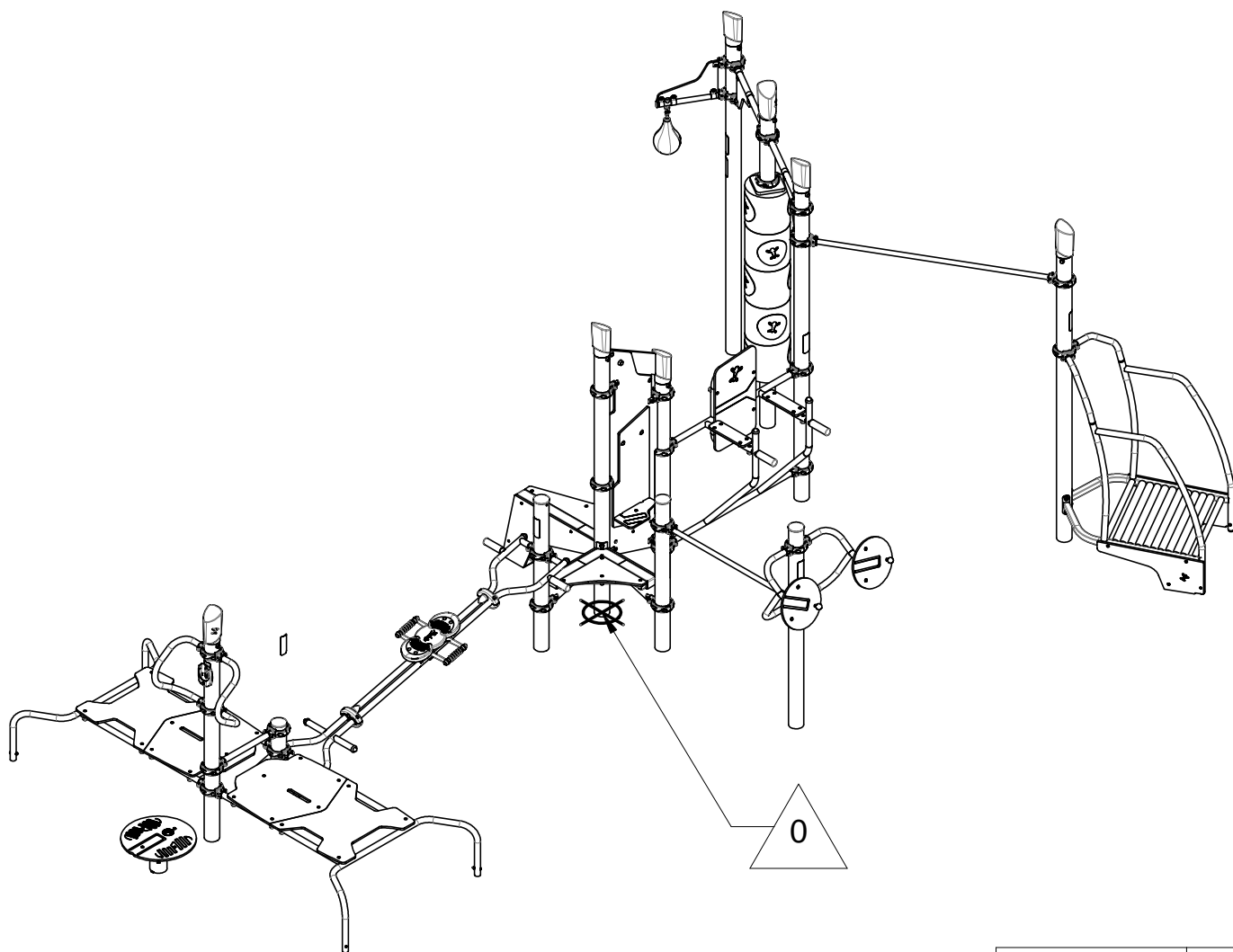


Point de référence  
Setting out point  
Punto de referencia  
Bezugspunkt  
Referentiepunt

- - - Espace libre  
Free space  
Espacio libre  
Freiraum  
Vrije ruimte

EN16630:2015

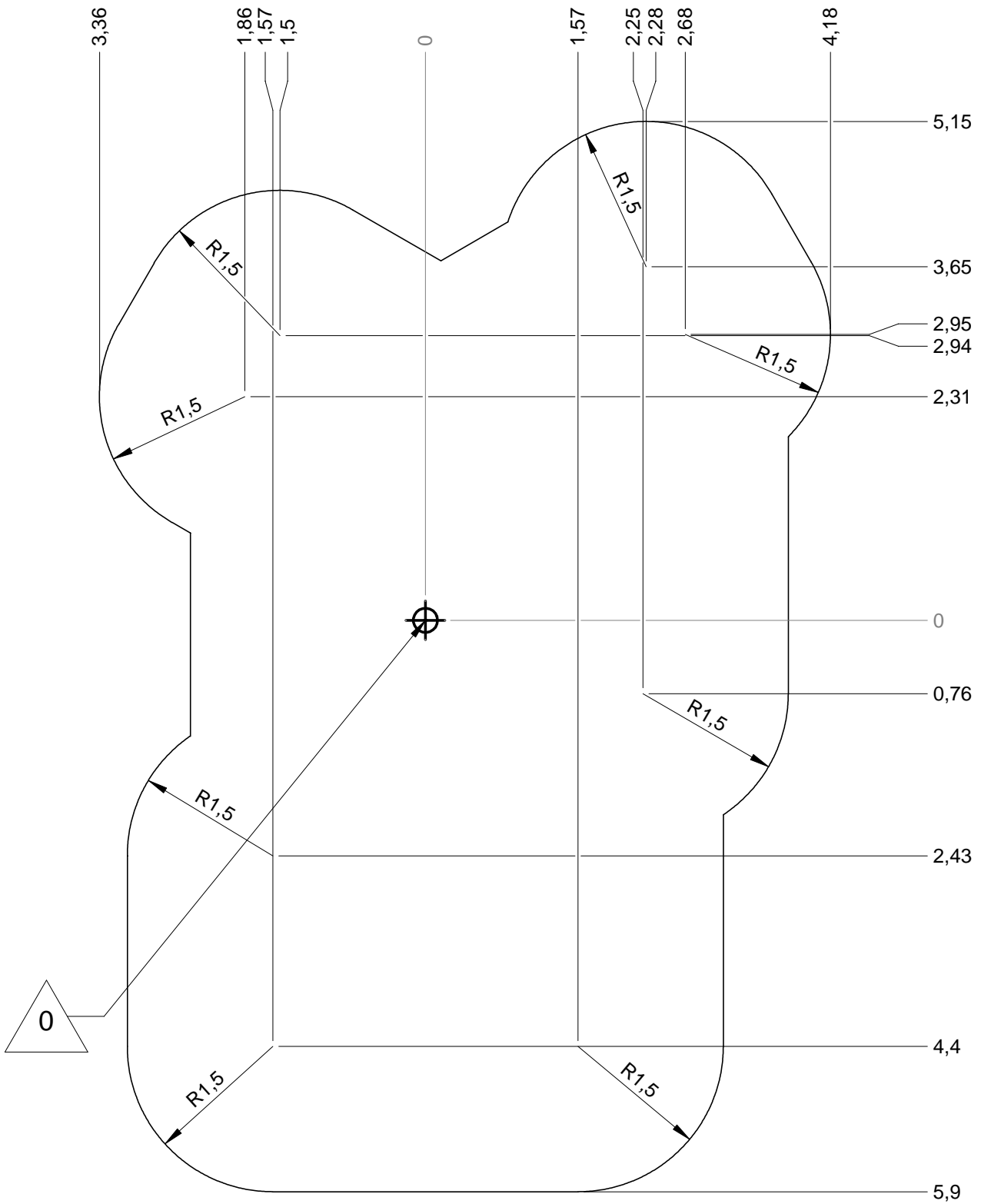




G3740A	1
G3741A	2
G3742A	2
G3744A	1
G3745A	2
G3747	4
G3748	4
G3749	1
G3750A	1
G3752	1
G3755A	2
G3756A	1
G3757	1
G3761	1
G3762A	1
G3764	1
G3765A	1
G3768	1
G3770	1
G3777	1
G3778	1
G3780	1
G22215N	23

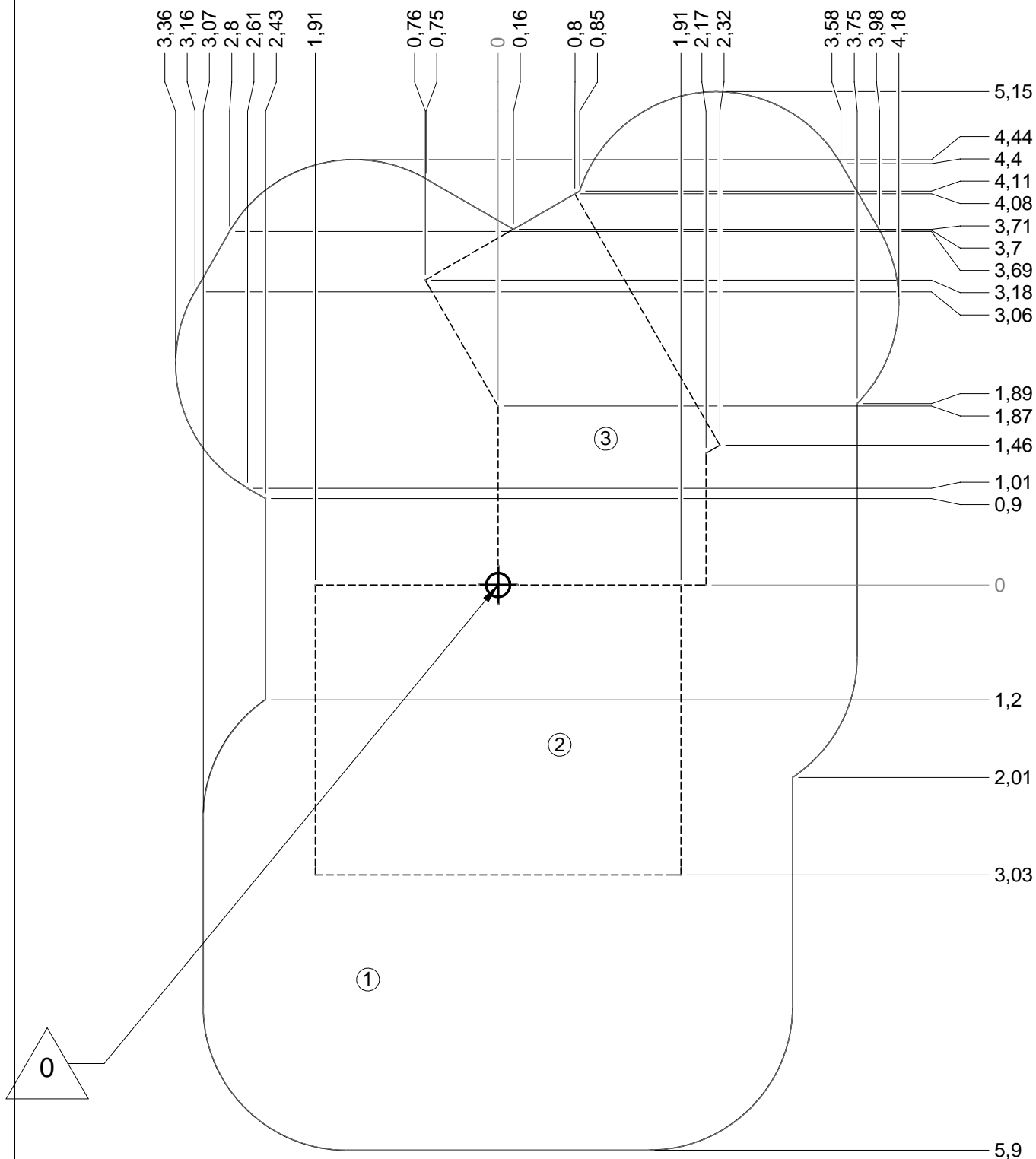
— Zone d'impact  
 Impact area  
 Area de impacto  
 Fallraum  
 Valzone

66.5 m<sup>2</sup>



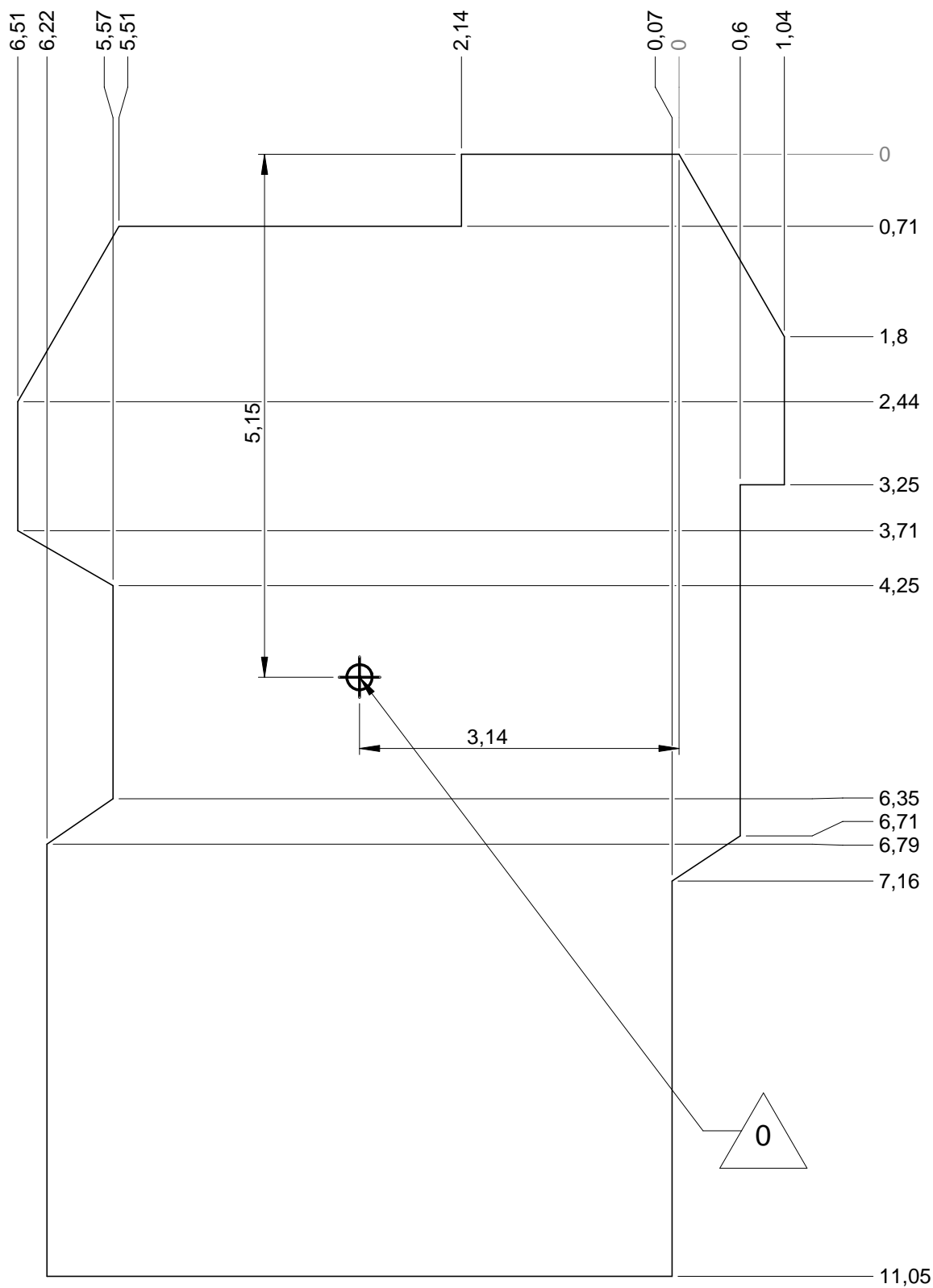
66.5 m<sup>2</sup>

- Sol souple
- Wetpour
- Caucho continuo
- Synthetischer Fallschutz
- Gietvloer

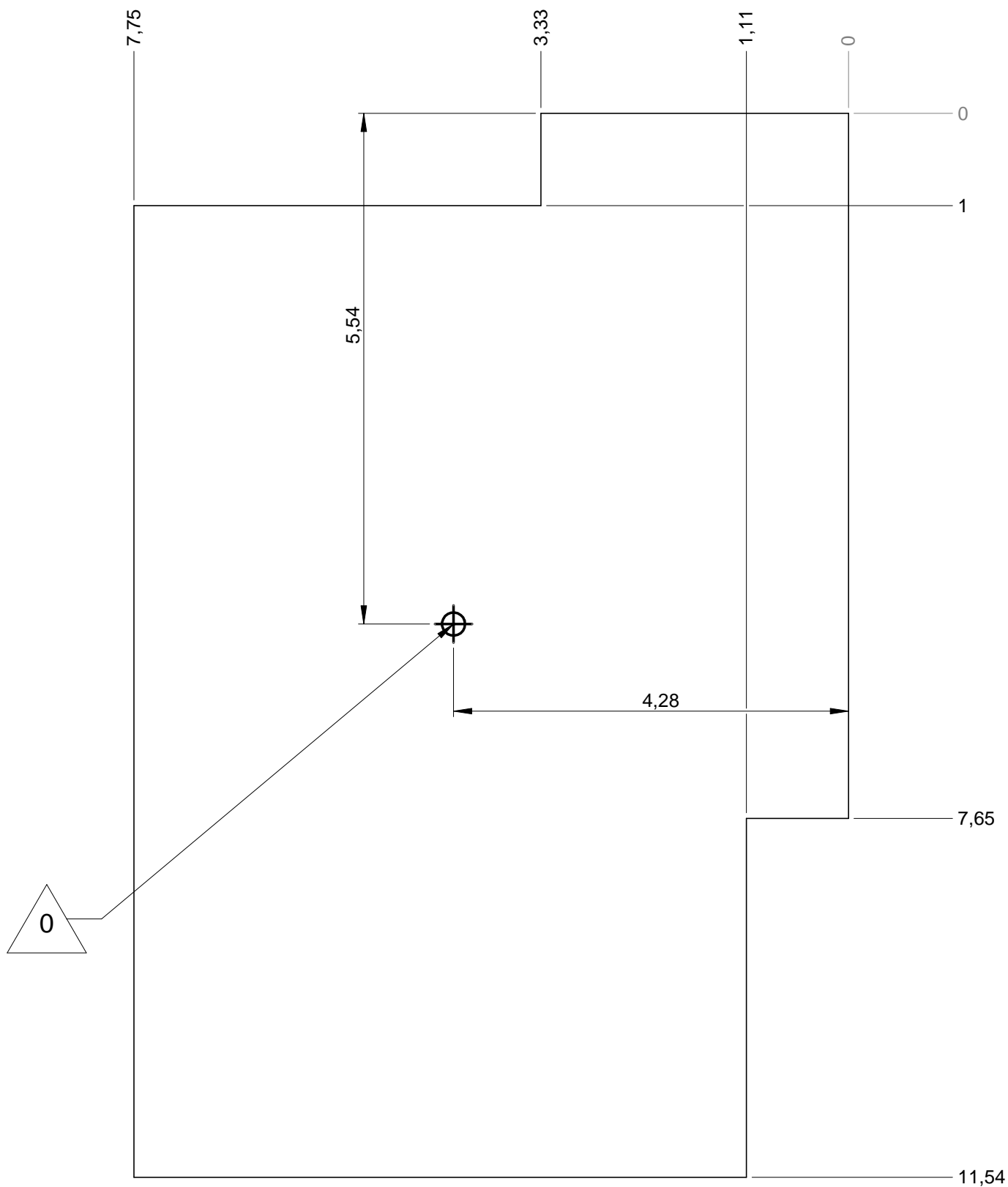


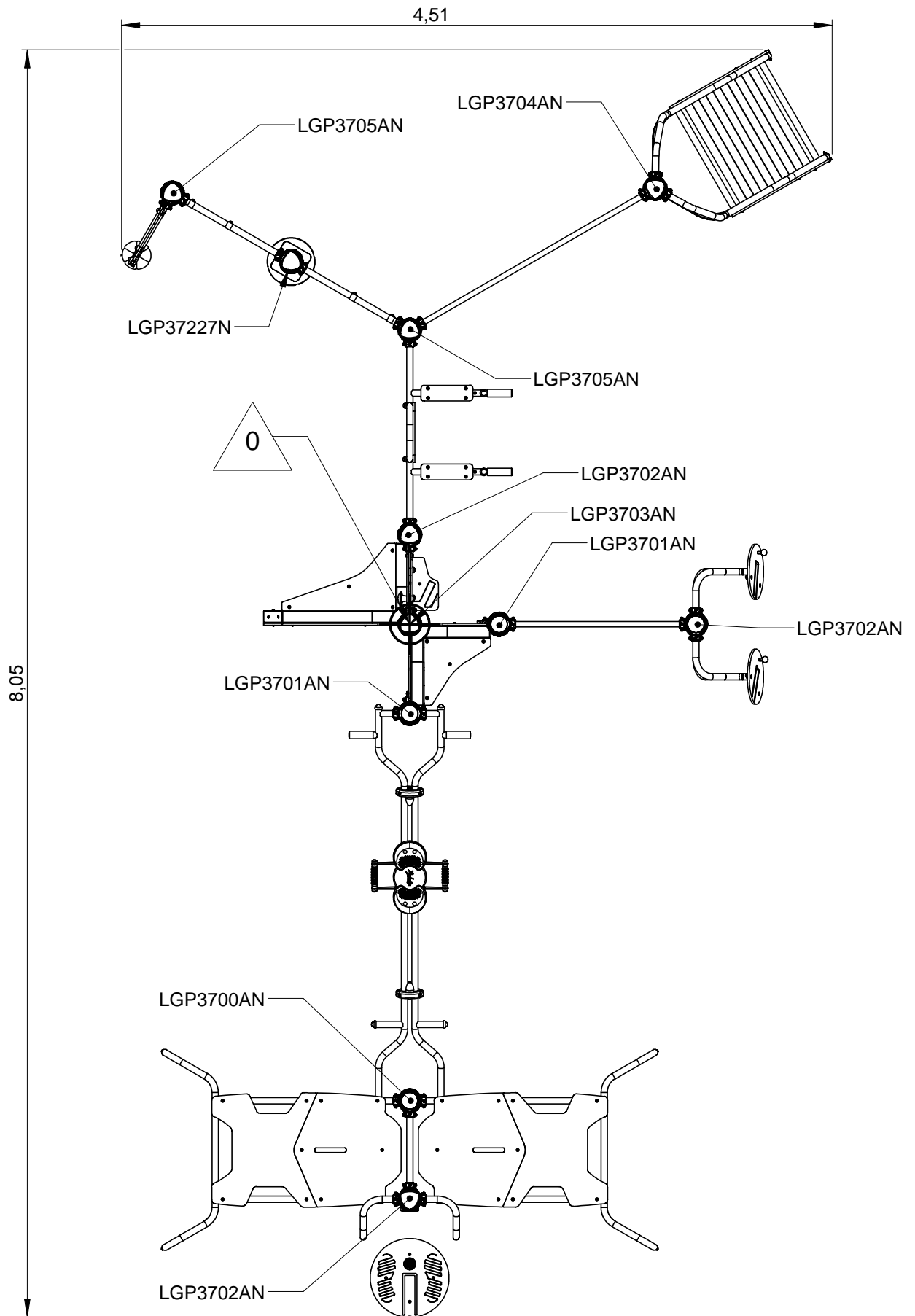
— Dalle béton  
 Concrete pad  
 Solera de hormigon  
 Beton Bodenplatte  
 Betonnen bodemplaat

36 m  
 69 m<sup>2</sup>

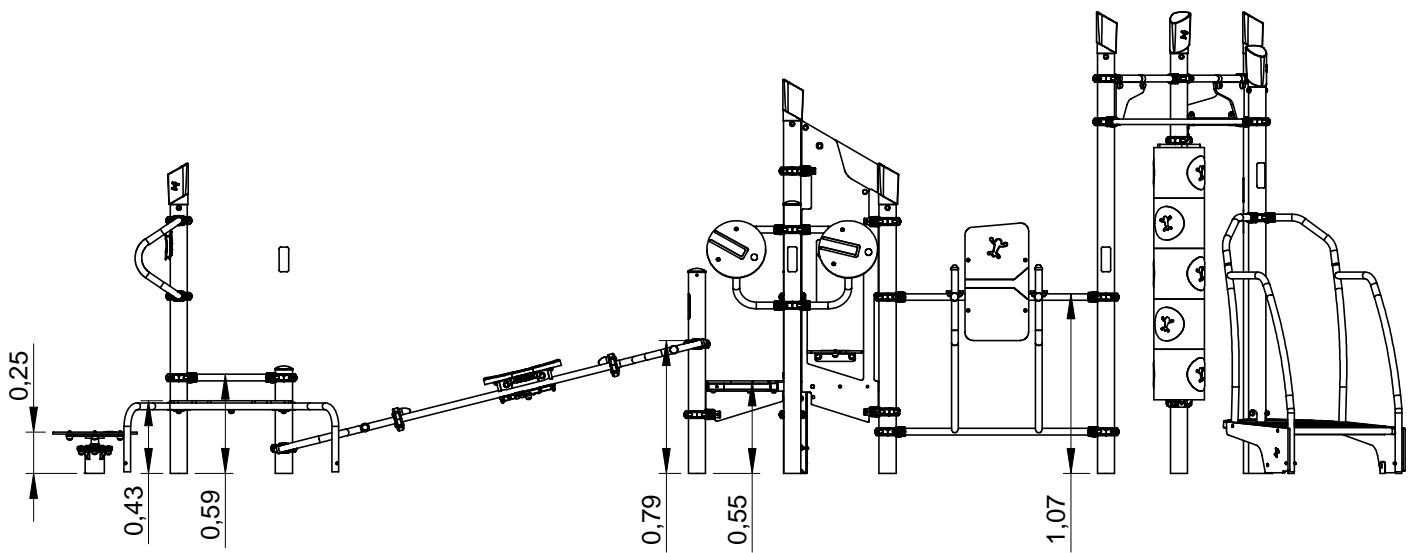
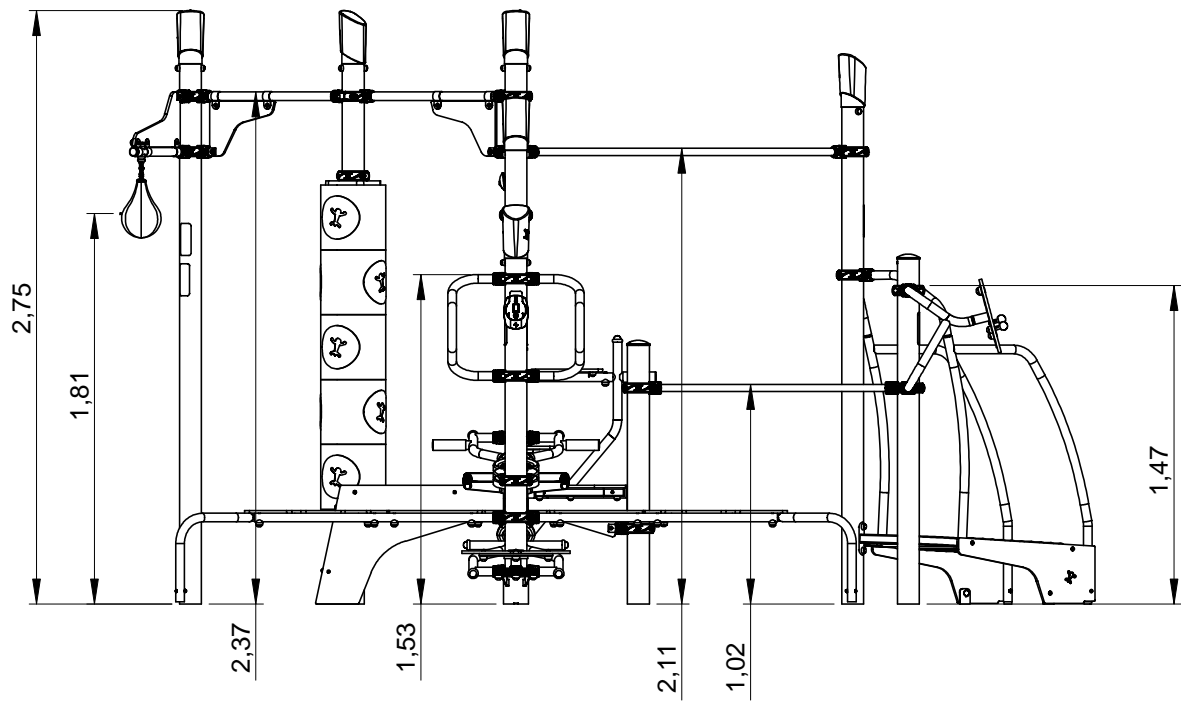


— Sol fluent  
 Loos partucule material 40 m  
 Arenero  
 Loses Bodenmaterial 81 m<sup>2</sup>  
 Los bodemmateriaal

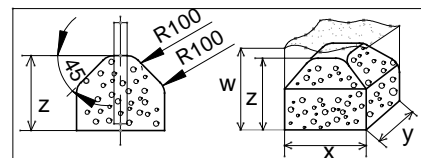
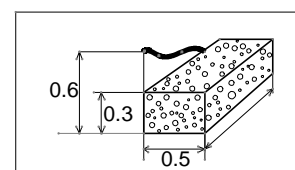
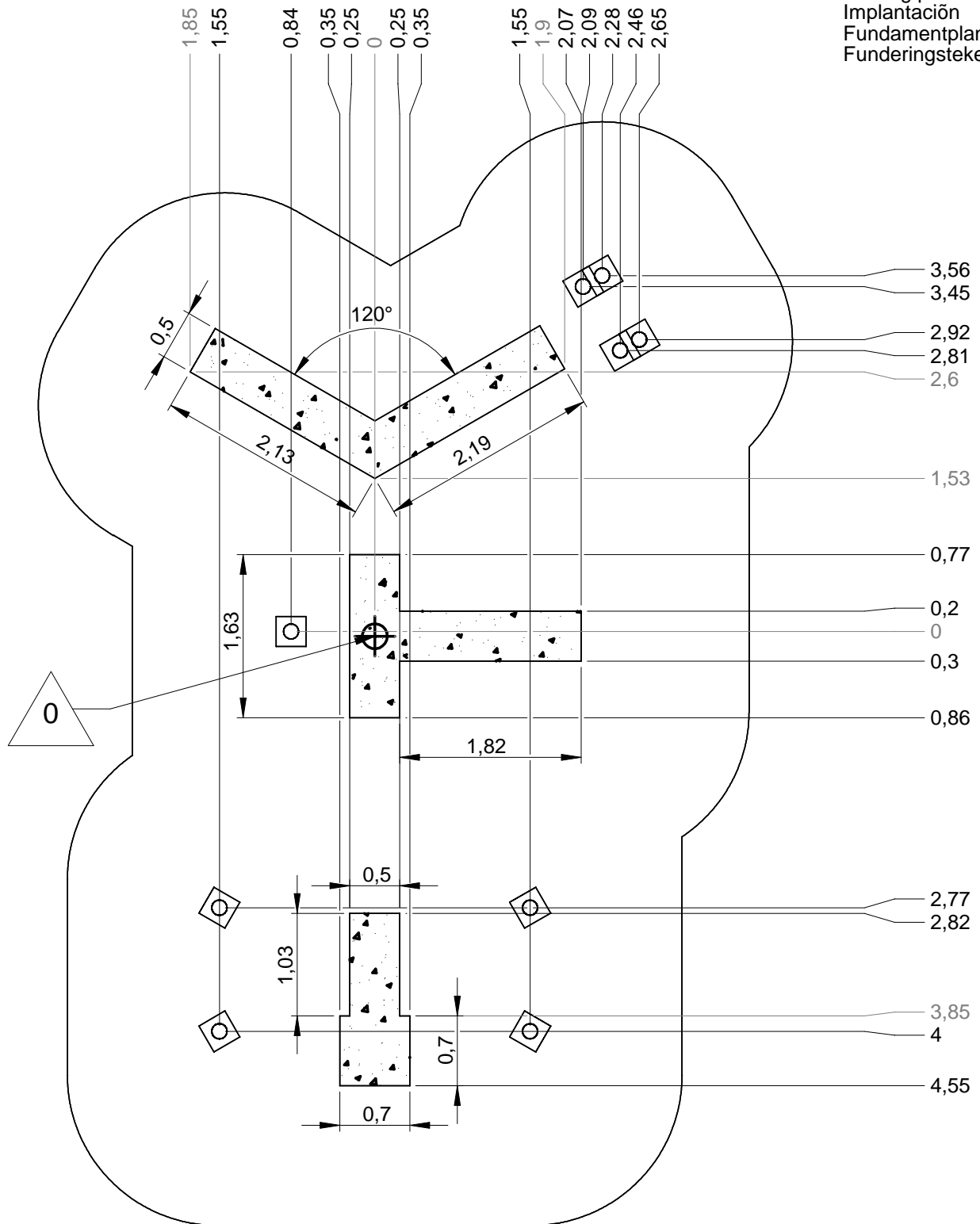






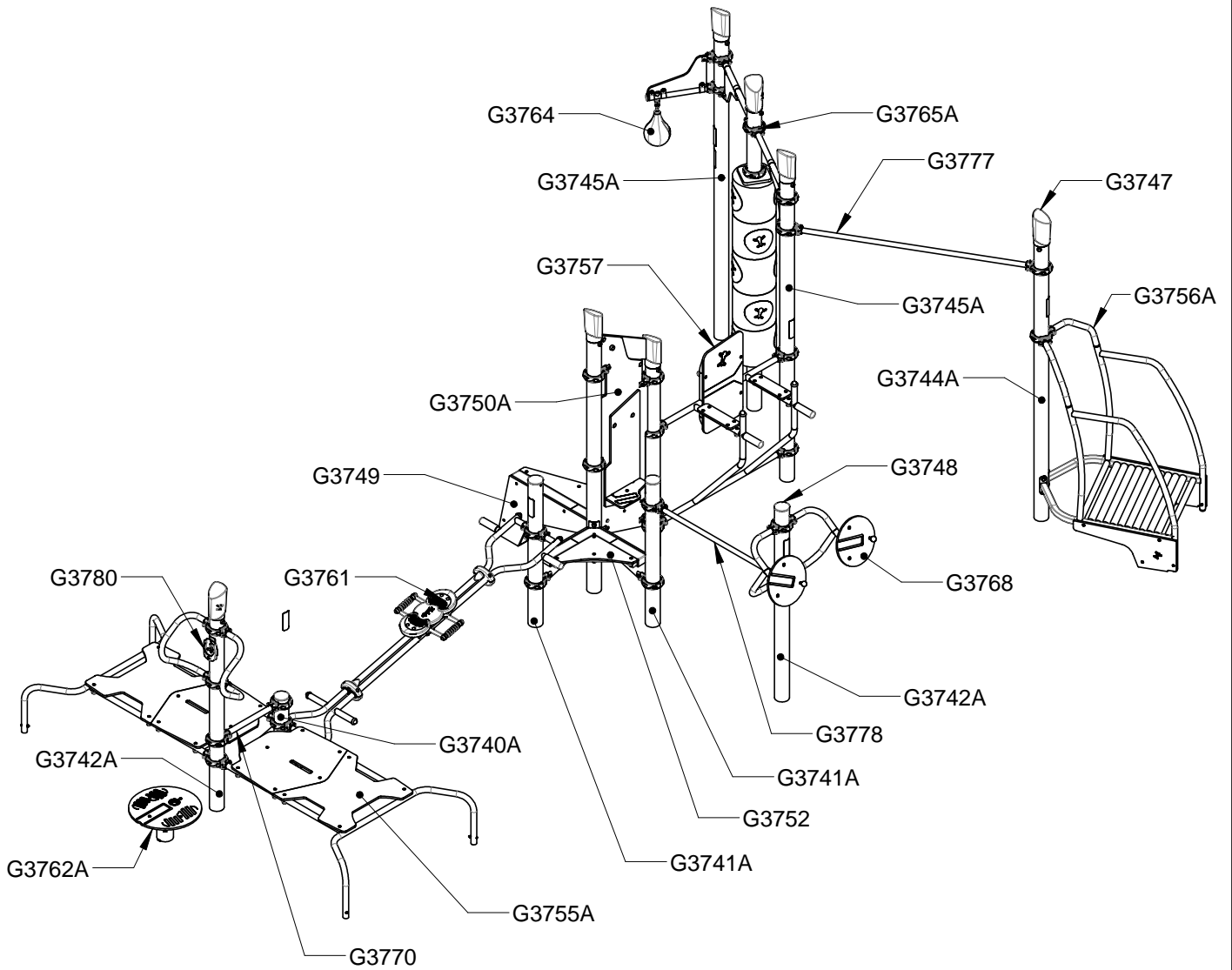


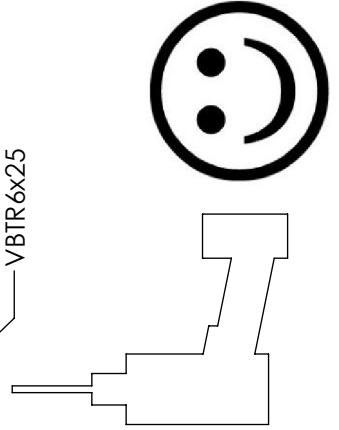
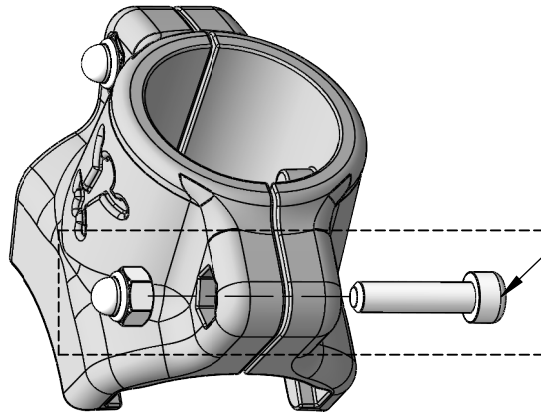
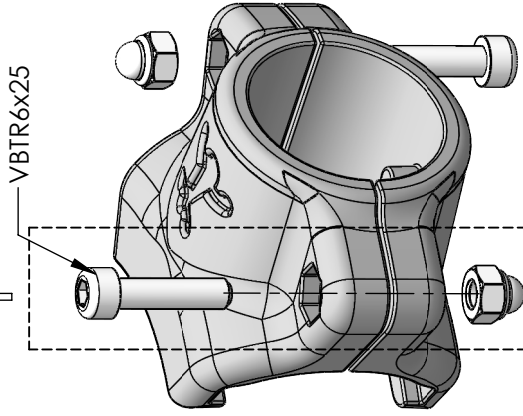
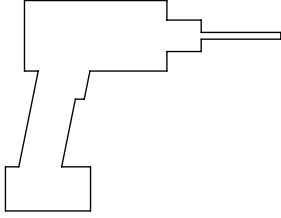
Implantation  
 Footing plan  
 Implantación  
 Fundamentplan  
 Funderingstekening



	x	y	z	w
	0.3	0.3	0.3	0.6
	0.5	0.5	0.4	0.6

x2  
 25H  
 1.7 m<sup>3</sup>

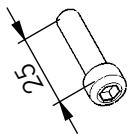




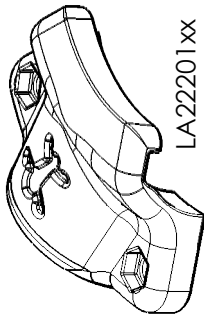
Réf	Qté
LA22201xx	2
VBTR6x25	2
VEFBM6	2



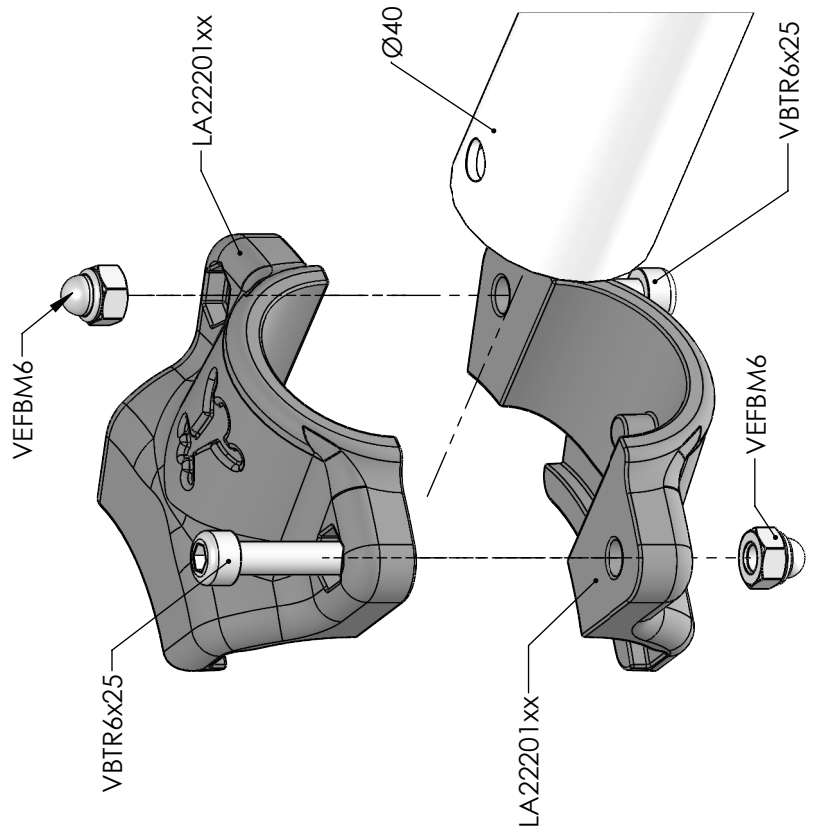
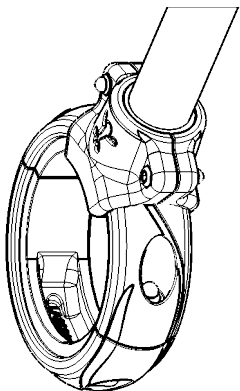
VEFBM6

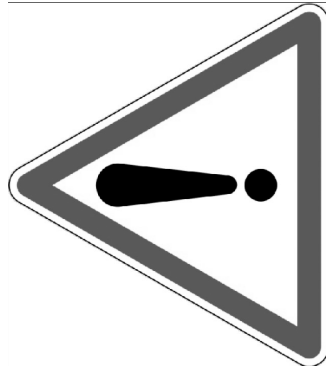
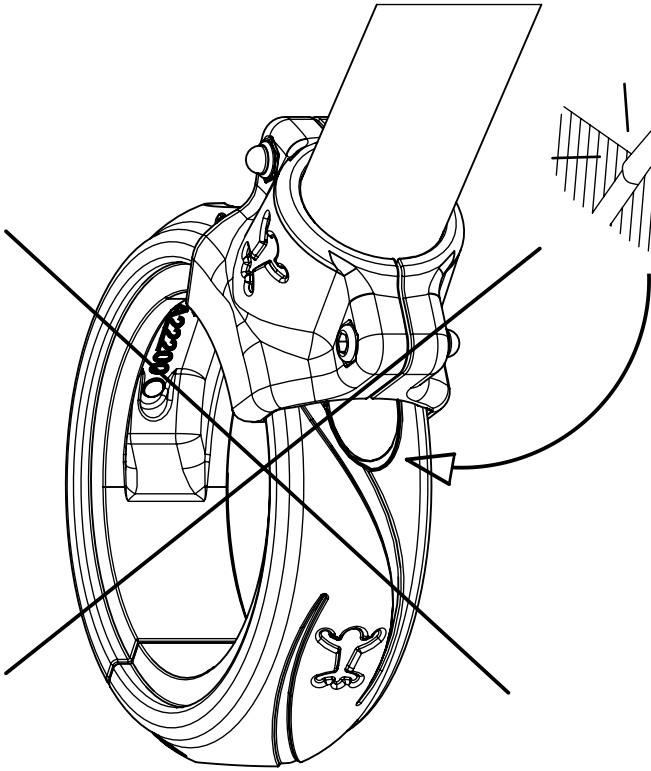
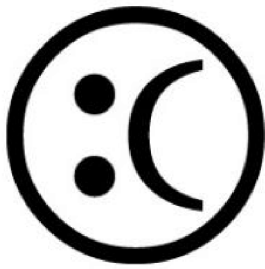


VBTR6x25

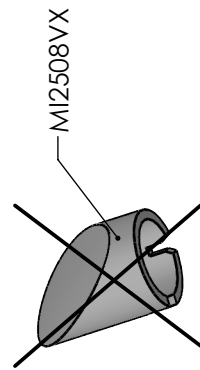
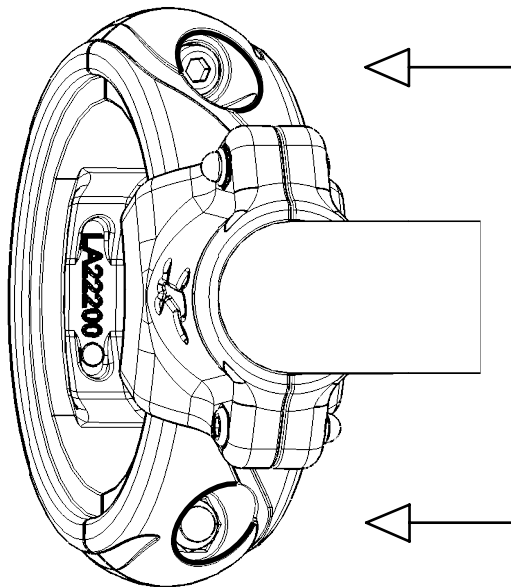
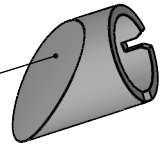


LA22201xx

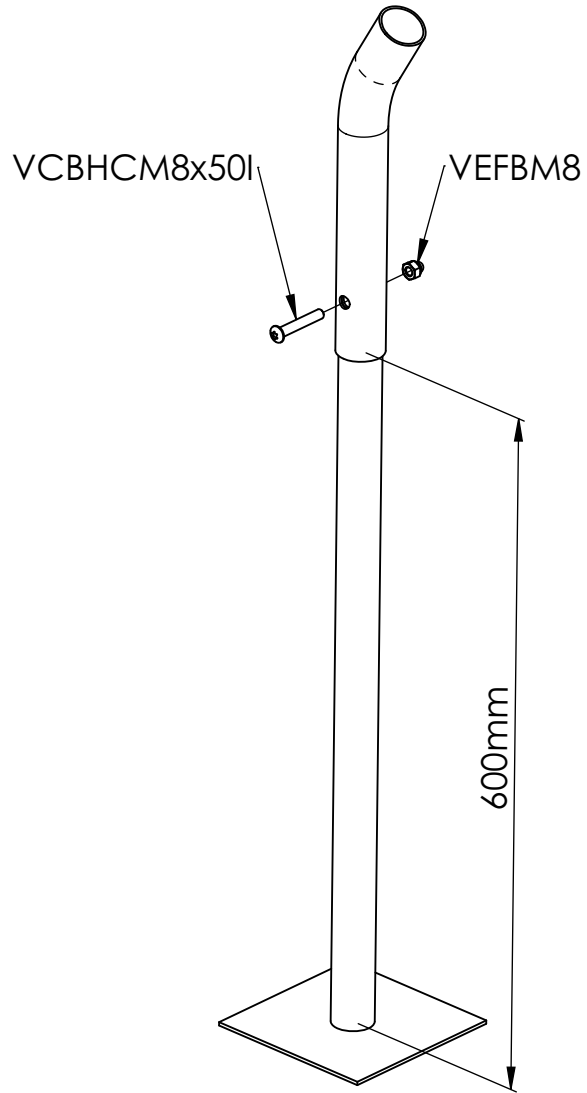


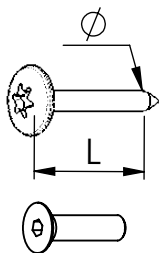


MI2508VX



MI2508VX





VBT 6 x 30  
 $\varnothing$   $\uparrow$  L (mm)

VFHC



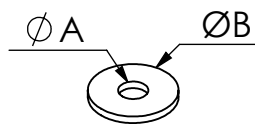
VEC M10  
 $\varnothing$



VEF



VEB

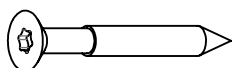


VR6x18  
 $\varnothing A$   $\varnothing B$

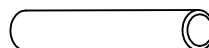
VTHA

**1000 - 1800 tr/min**  
 Vitesse de rotation  
 Rotation speed

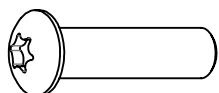
**14 N.m**  
 Couple de rupture  
 Torque of break



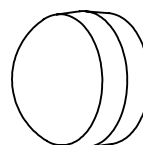
VWT



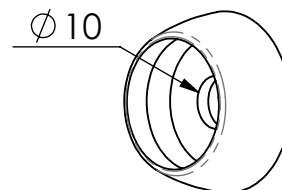
VGC



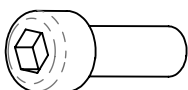
VCBHC



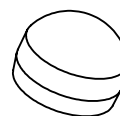
M10 440N



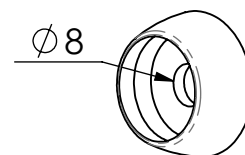
M10 310 N



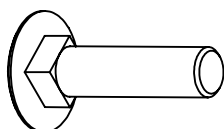
VBTR



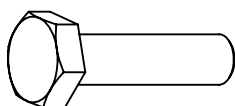
M8 440N



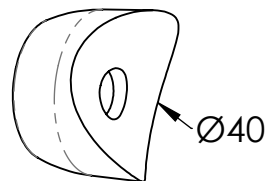
M8 310N



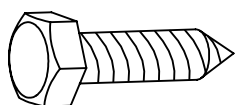
VTRCC



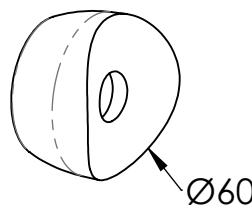
VTH



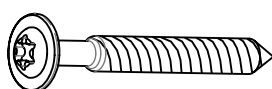
MI2503



VTF

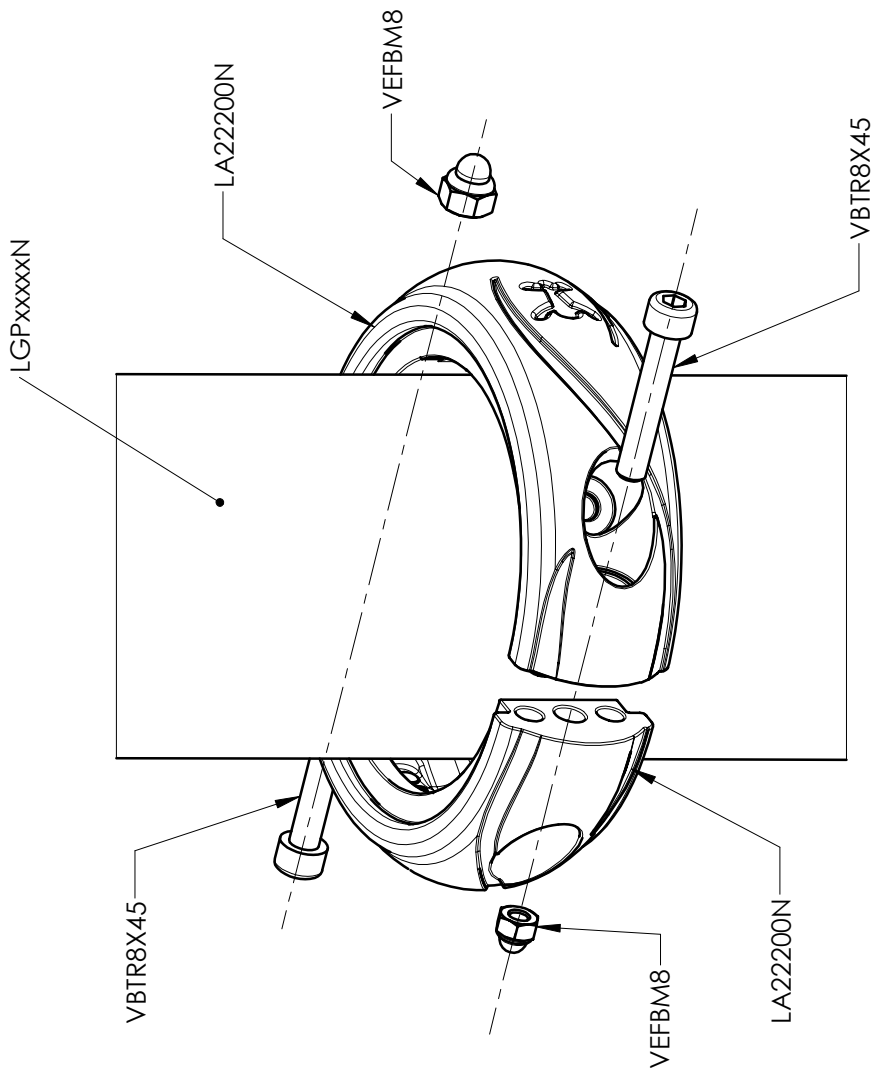


MI2701



VBT

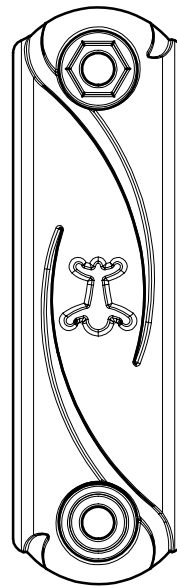
Réf	Qté
LA22200N	2
VBTR8X45	2
VEFBM8	2
MI2508N	4



VBTR8X45

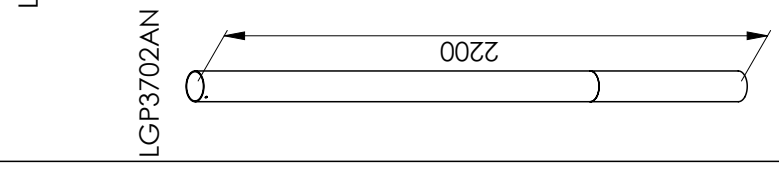
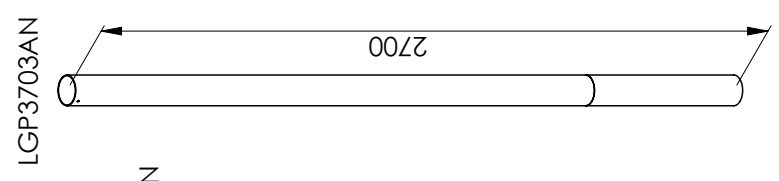
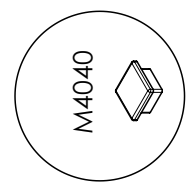
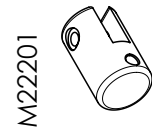
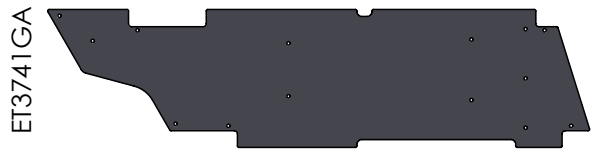
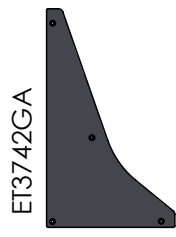
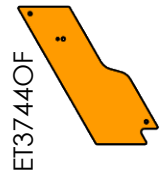
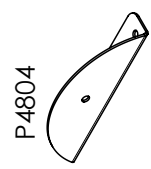
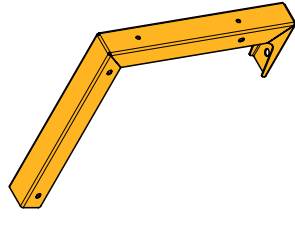
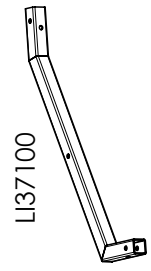
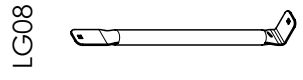
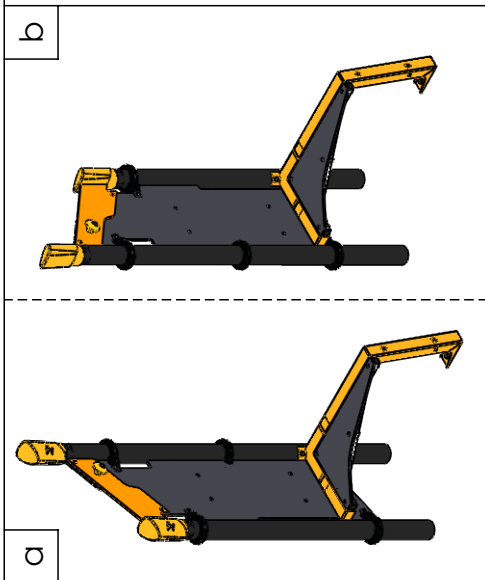


VEFBM8



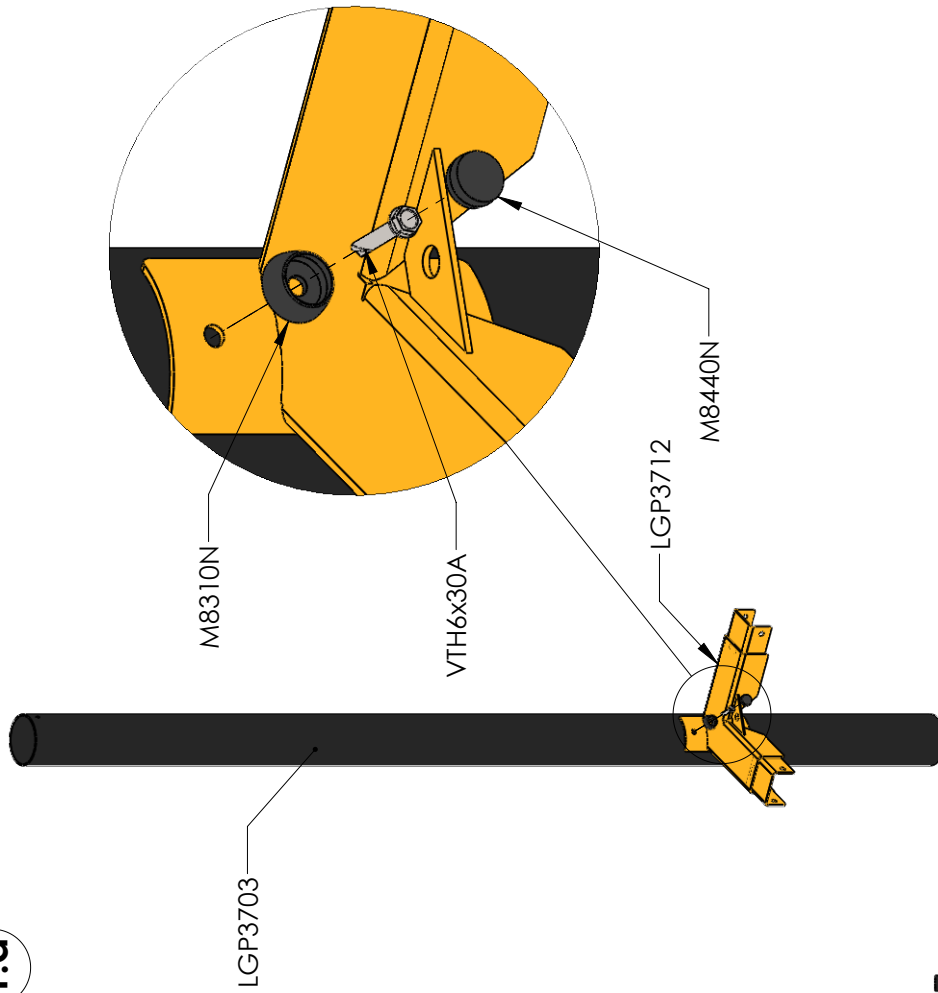
LA22200N



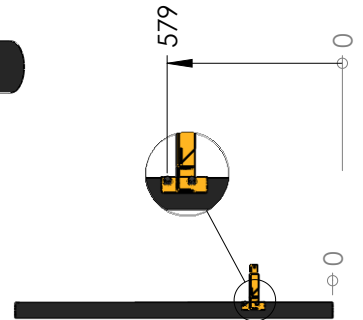
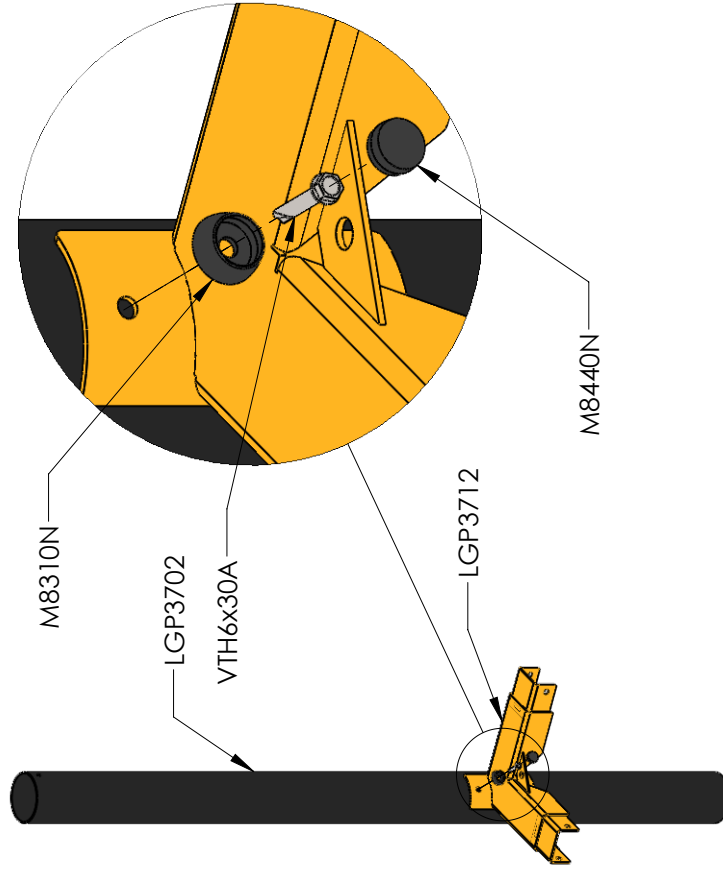


Réf	Qté	Réf	Qté
ET3741GA	1	MI2508N	16
ET3742GA	1	MI3800J	1
ET3743OF-G1	1	P4804	1
ET3744OF	1	VBTR6x25	6
ET3745GA	1	VBTR8x45	8
LA22200N	8	VCBHCM8x20I	3
LA22201N	6	VCBHCM8x30I	5
LG08	1	VCBHCM8x60I	2
LGP3702AN	1	VCBHCM10x20I	3
LGP3703AN	1	VCBHCM10x30I	1
LGP3710RAL1028	1	VCBHCM10x40I	4
LGP3715RAL1028	1	VCBHCM10x50I	2
LGP3716RAL1028	1	VECM10	2
LI37100	1	VEDM8	3
M11	1	VEFBM6	6
M450	2	VEFBM8	8
M3700	2	VEFM8	11
M4040	2	VEFM10	11
M8310N	10	VFHCM8x30	1
M8440N	10	VFHCM8x65	3
M10310N	11	VR8x18	10
M10440N	12	VTH6x30A	6
M22201	3	VTH10x100	1
		VTRCC10x80	1

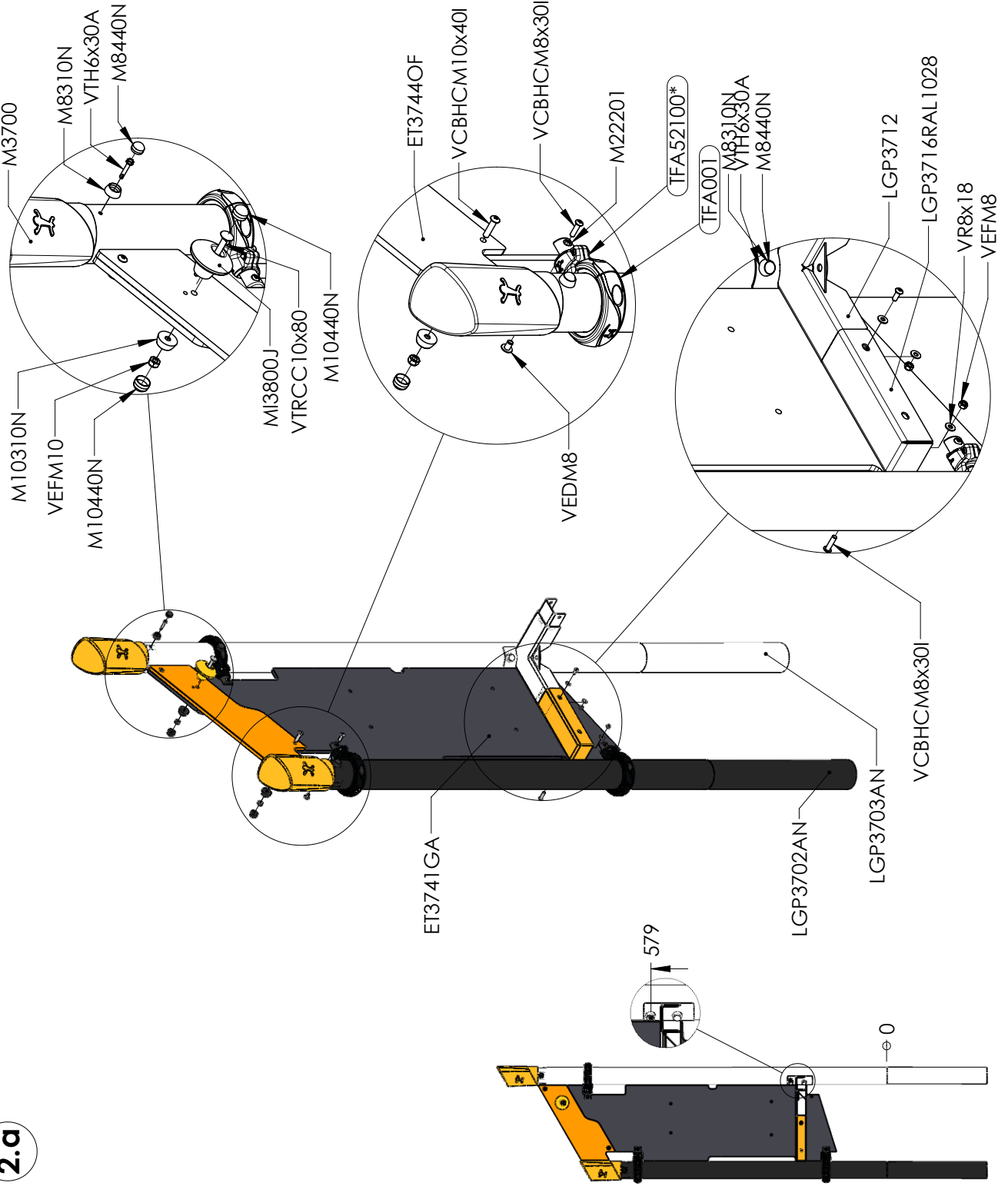
1.a



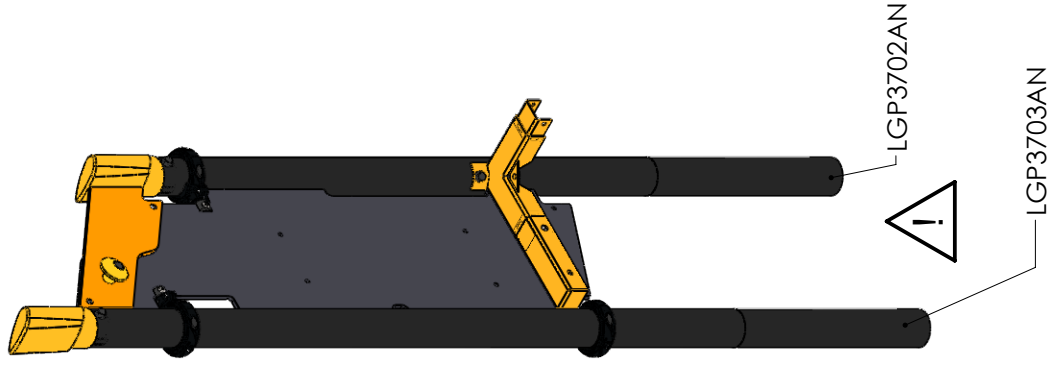
1.b



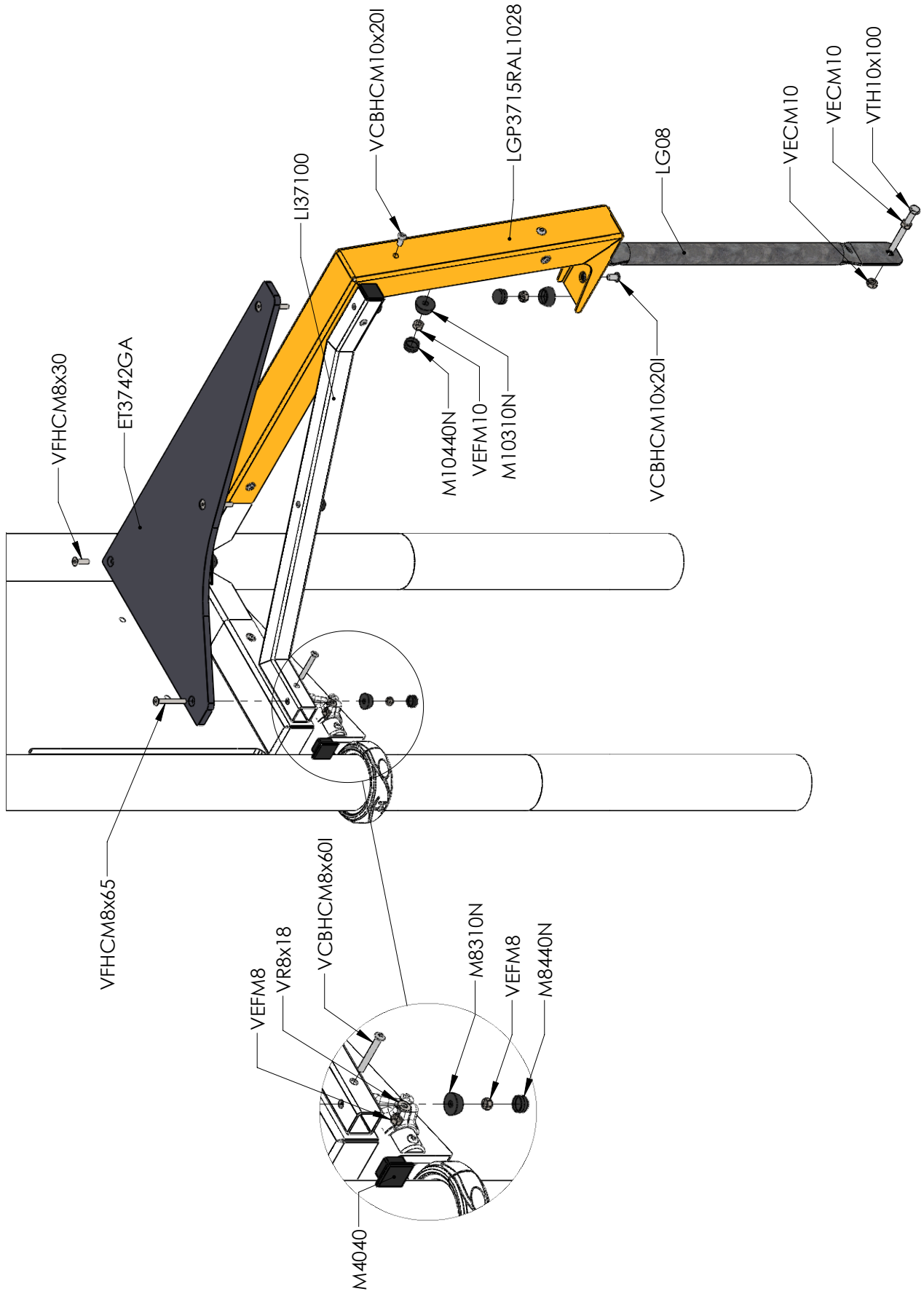
## 2.a



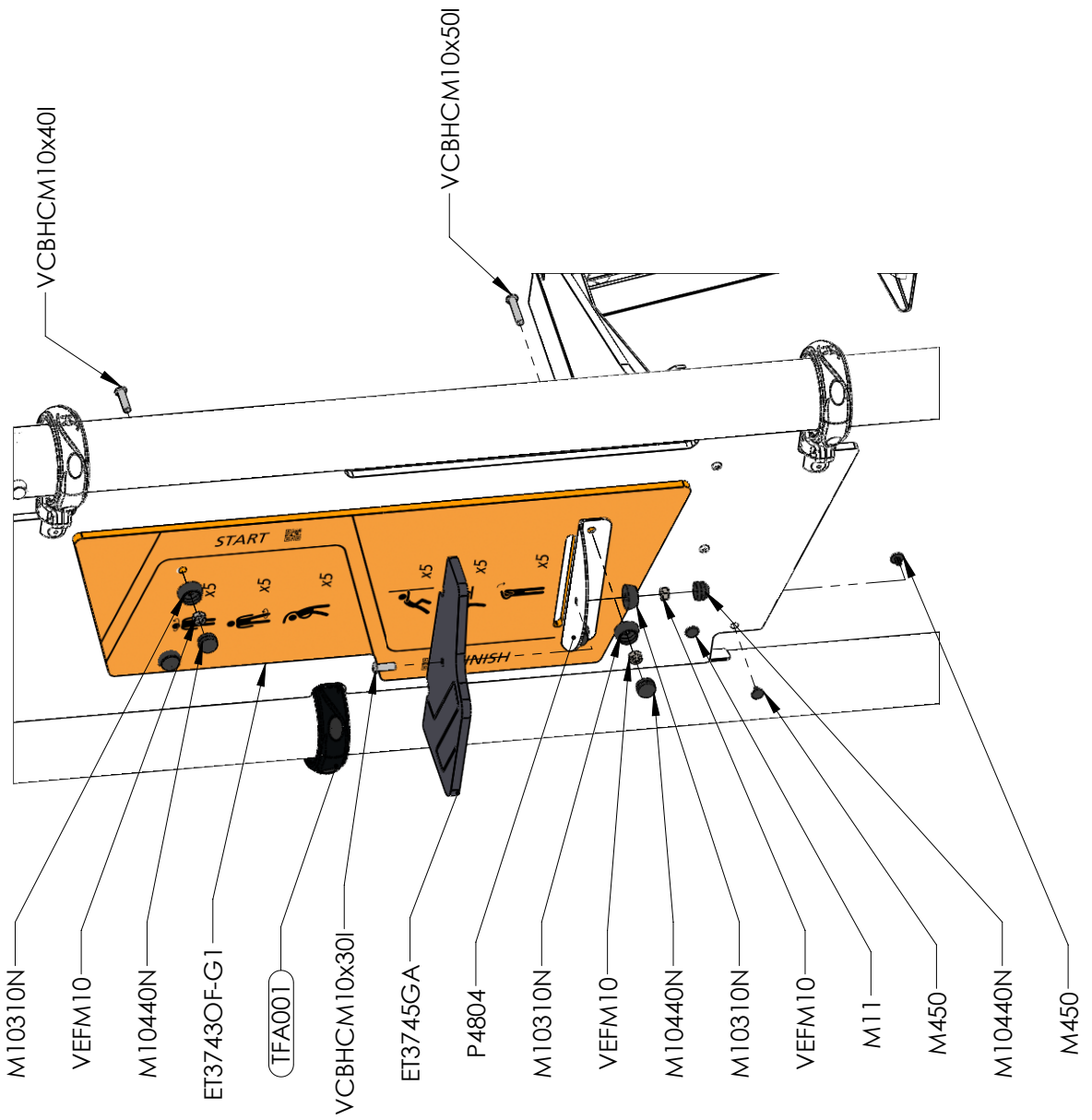
## 2.b

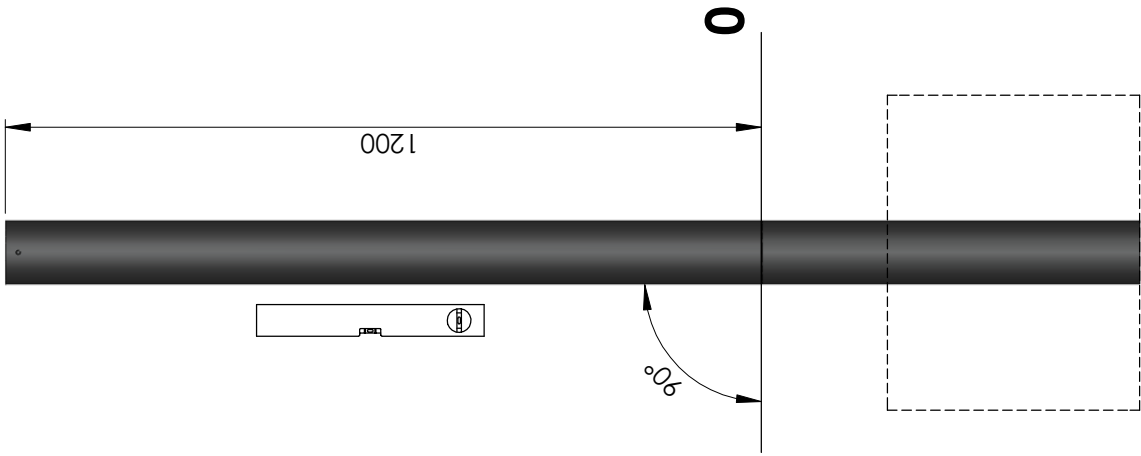


3



3





LGP3701AN

1800

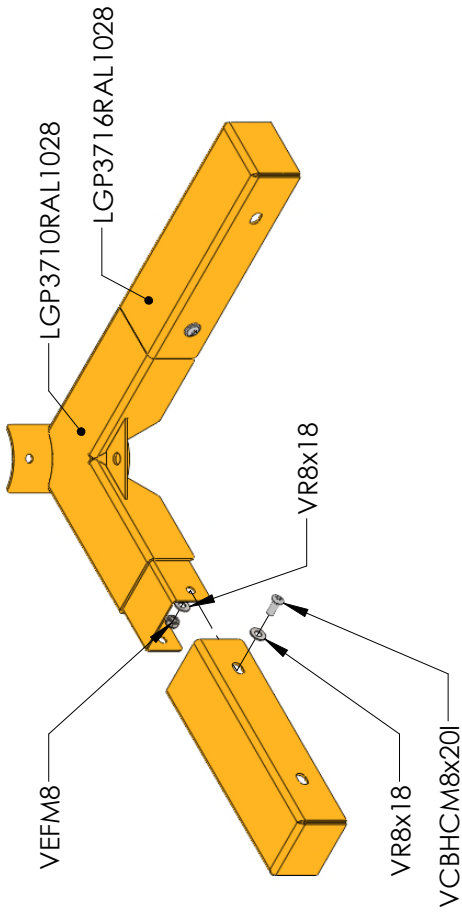
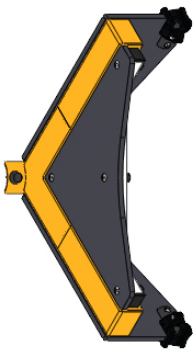
1200

90°

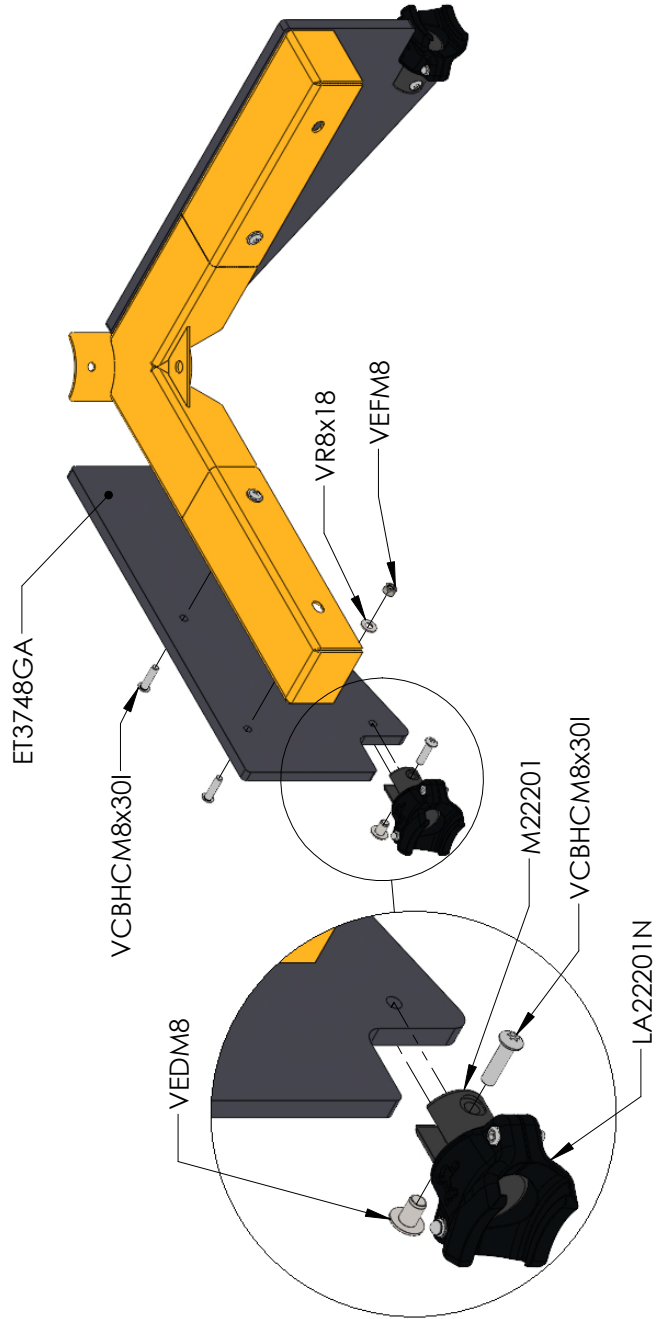
0

Réf	Qté
LGP3701AN	1

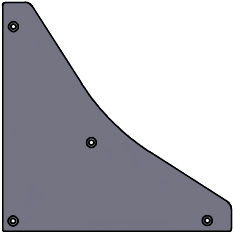
1



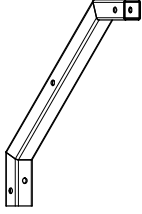
2



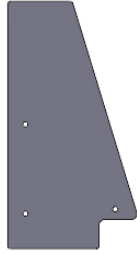
ET3747GA



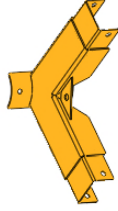
LI37107



ET3748GA



LGP3710RAL1028



LGP3716RAL1028



M4040



M22201

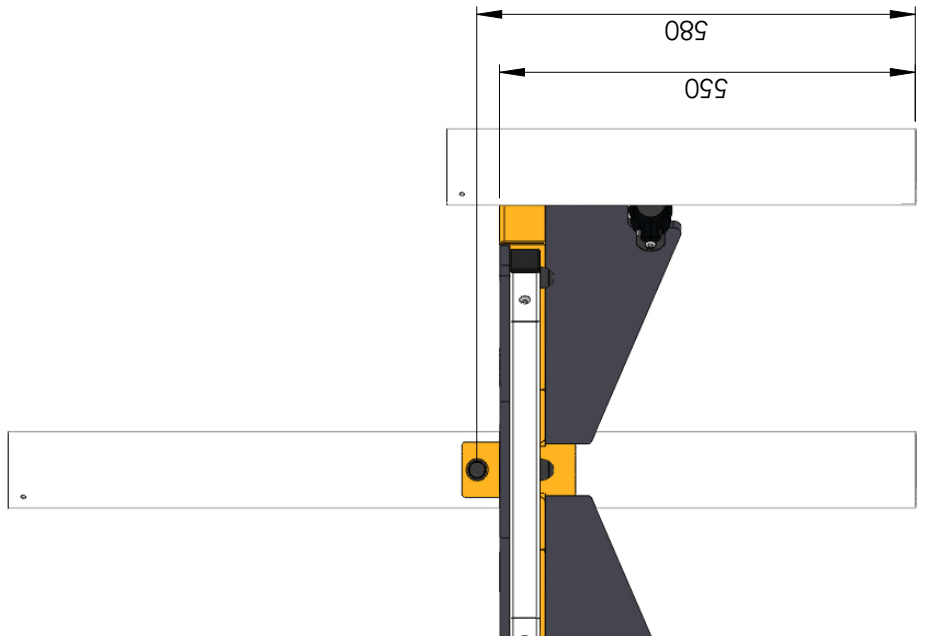
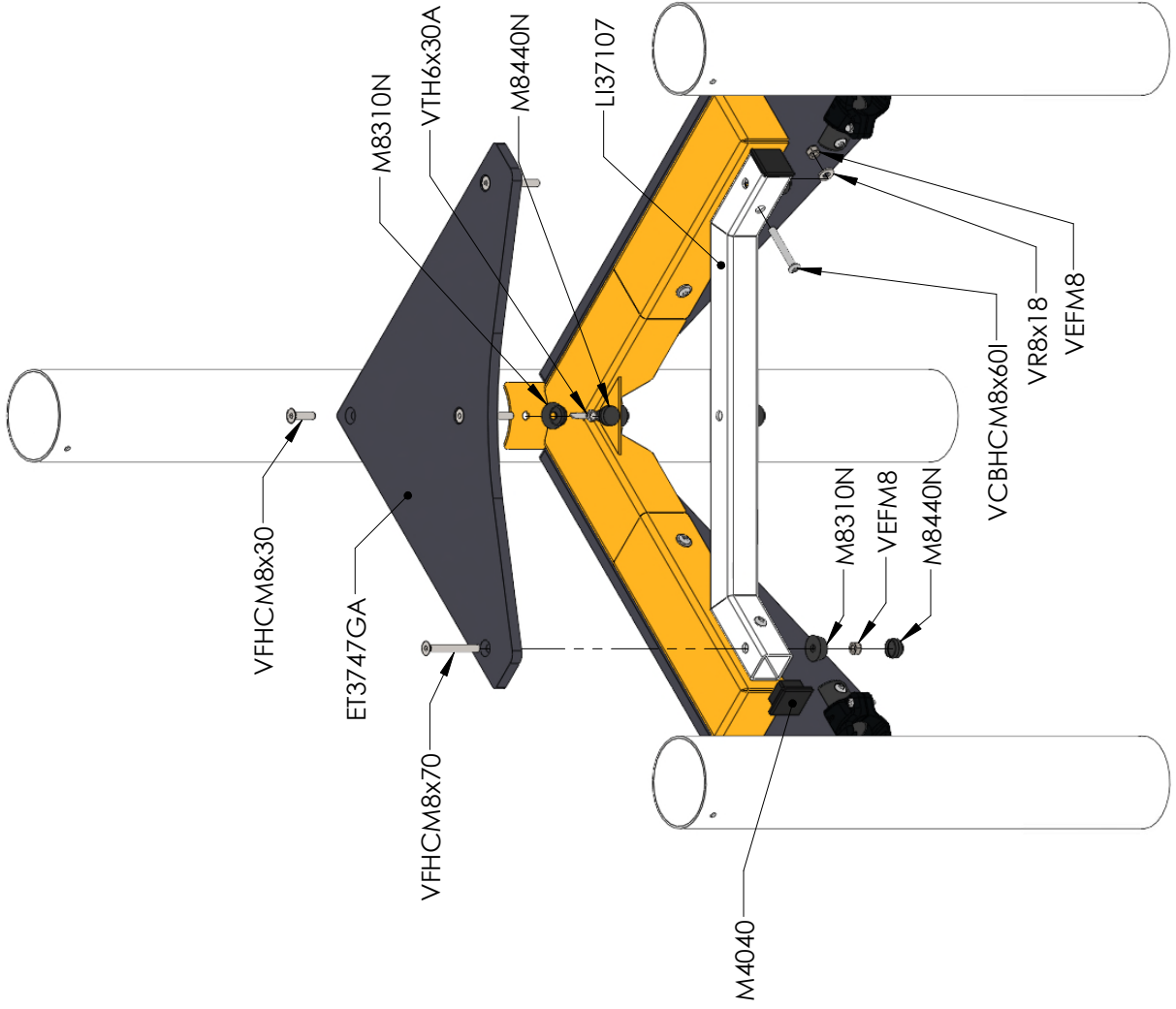


LA22201N

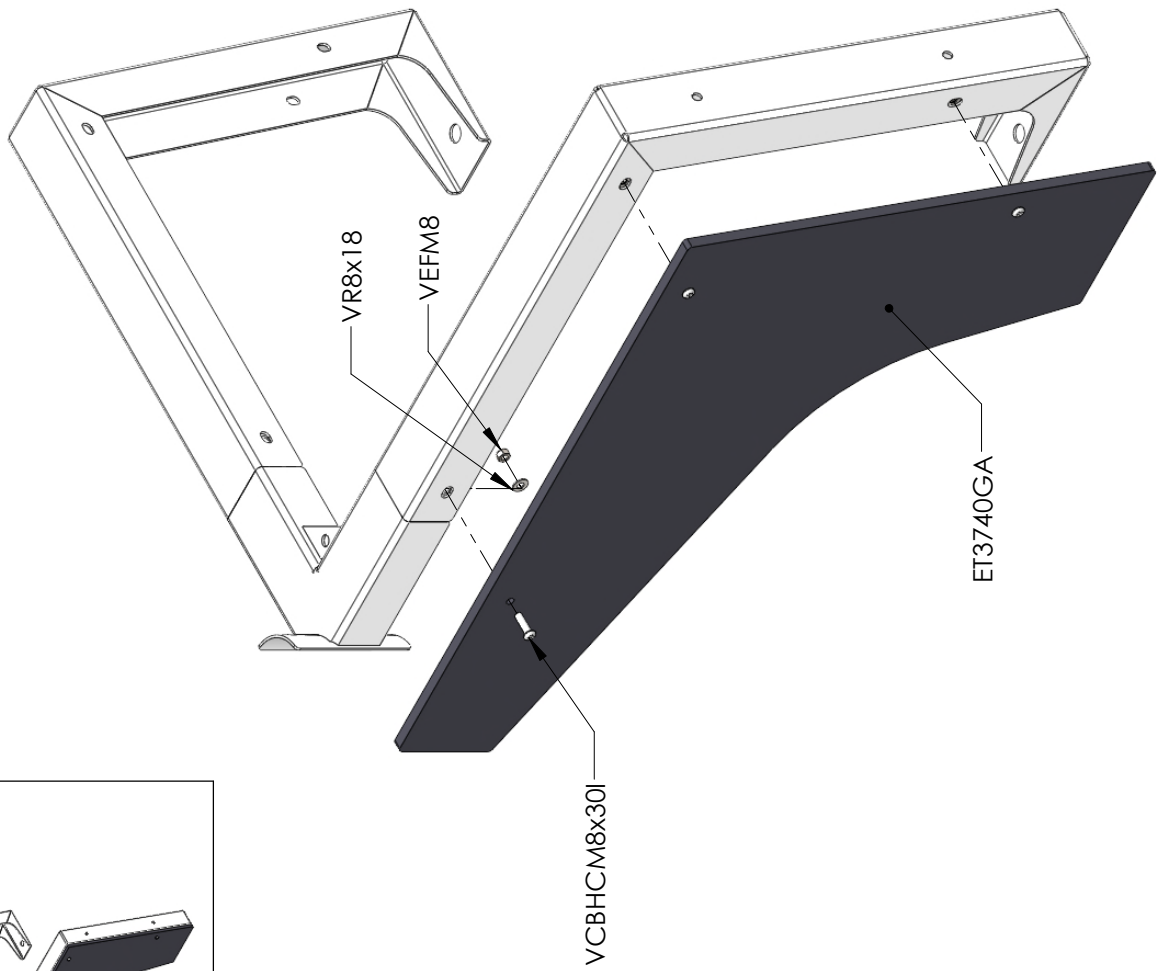
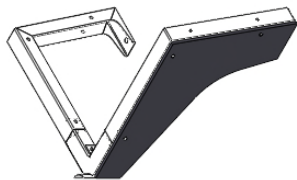


Réf	Qté
ET3747GA	1
ET3748GA	2
LA22201N	4
LGP3710RAL1028	1
LGP3716RAL1028	2
LI37107	1
M4040	2
M8310N	6
M8440N	6
M22201	2
VBTR6x25	4
VCBHCM8x20I	2
VCBHCM8x30I	6
VCBHCM8x60I	2
VEDM8	2
VEFBM6	4
VEFM8	12
VFHCM8x30	1
VFHCM8x70	3
VR8x18	10
VTH6x30A	2

3

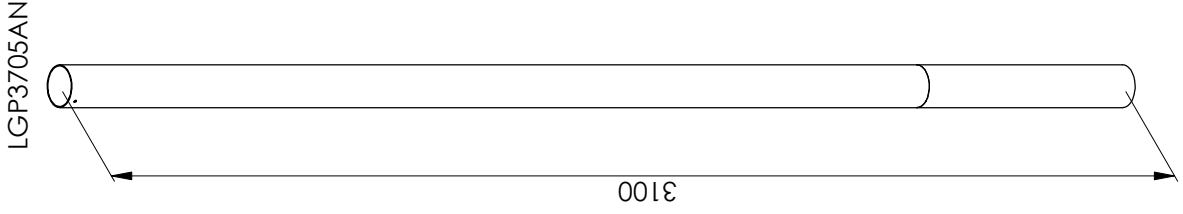
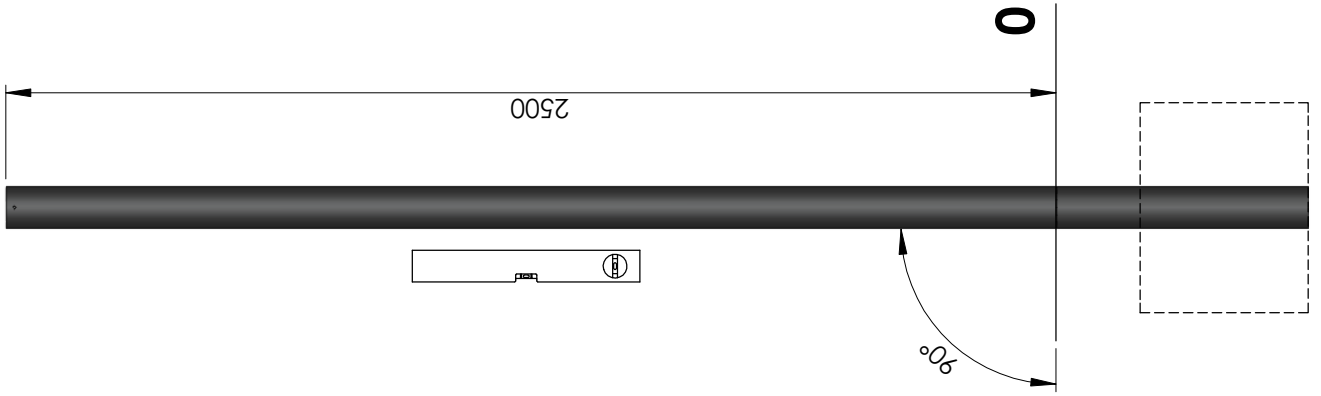




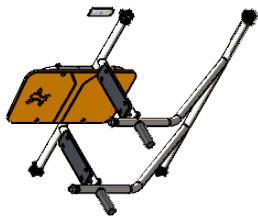


ET3740GA

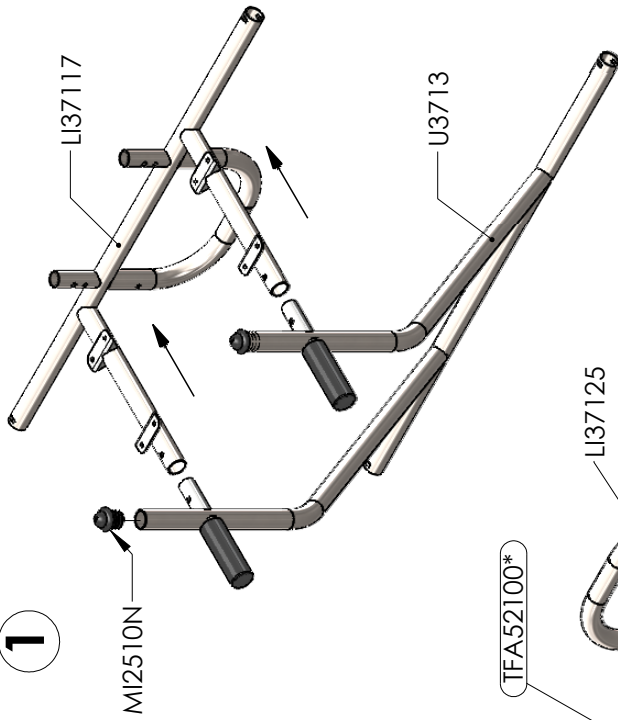
Réf	Qté
ET3740GA	1
VCBHCM8x30I	3
VEFM8	3
VR8x18	3



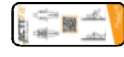
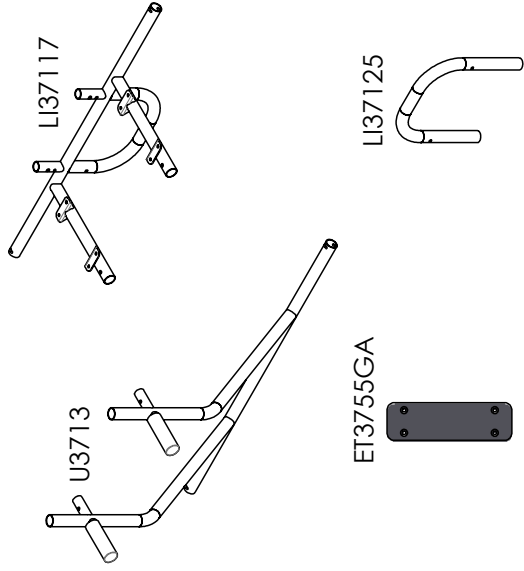
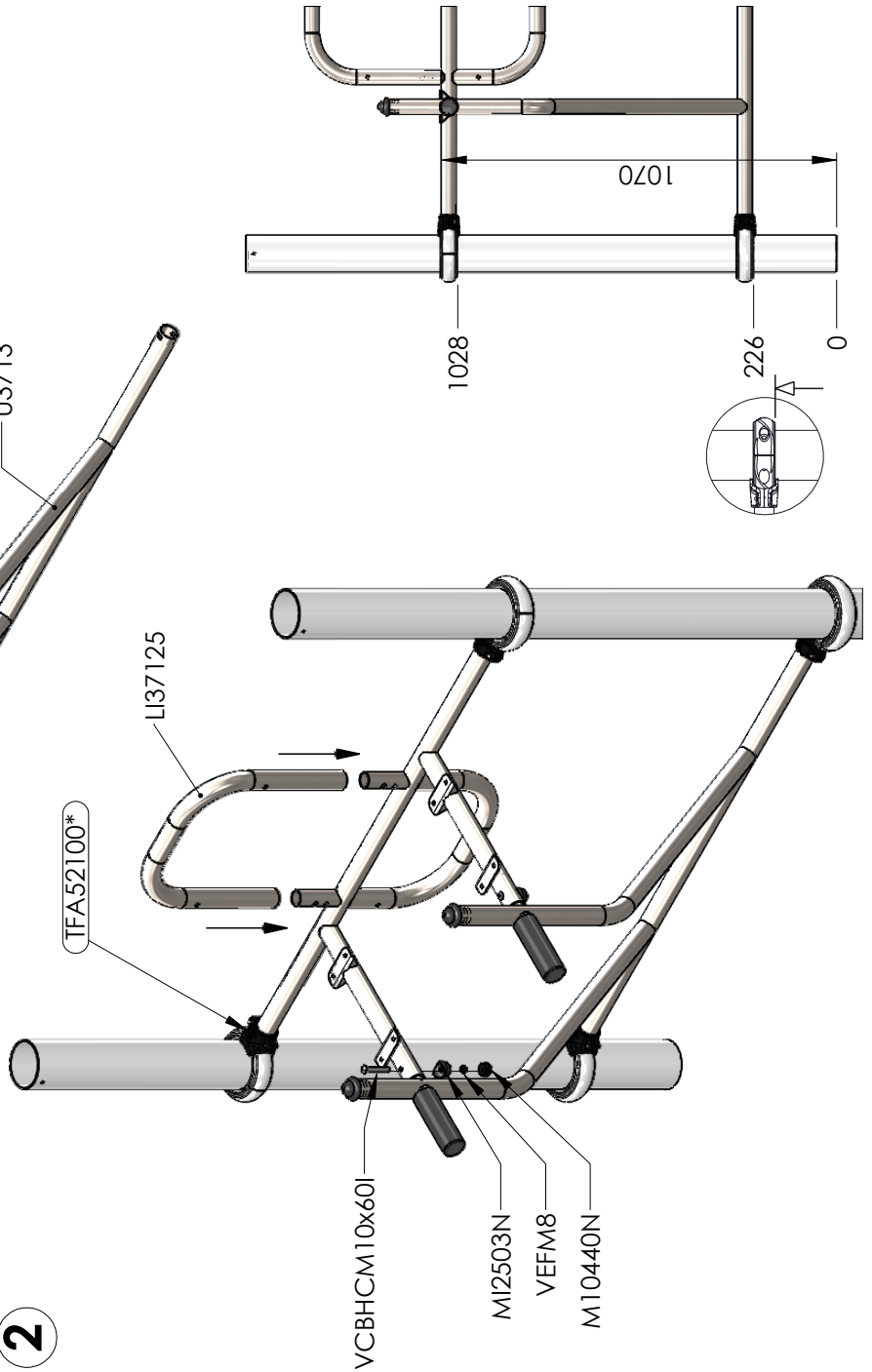
Réf	Qté
LGP3705AN	1



1

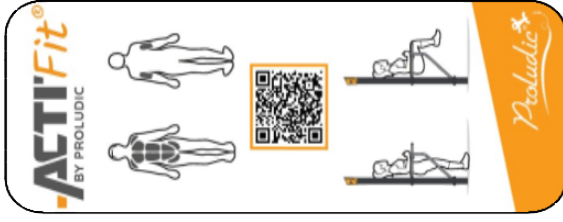
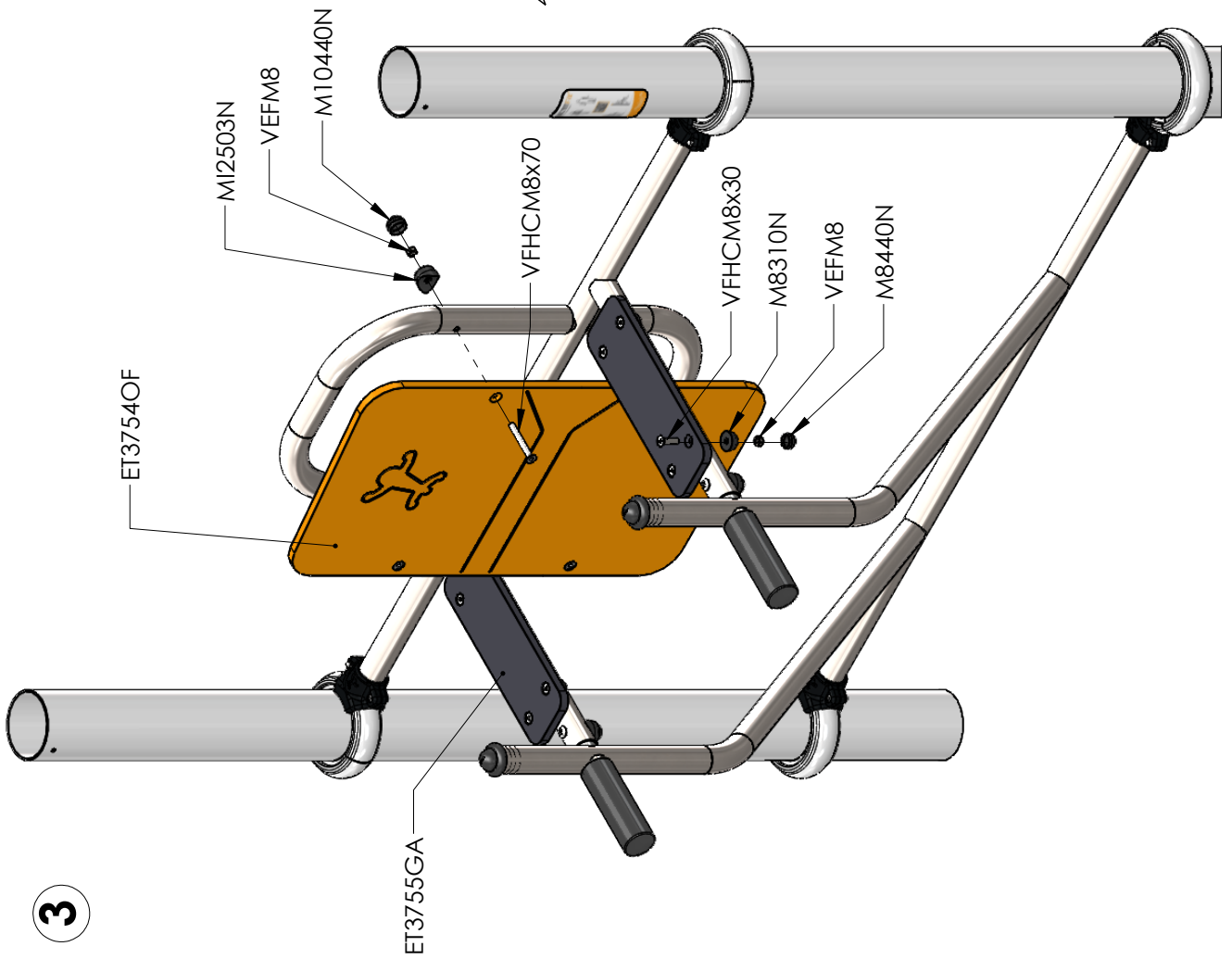


2

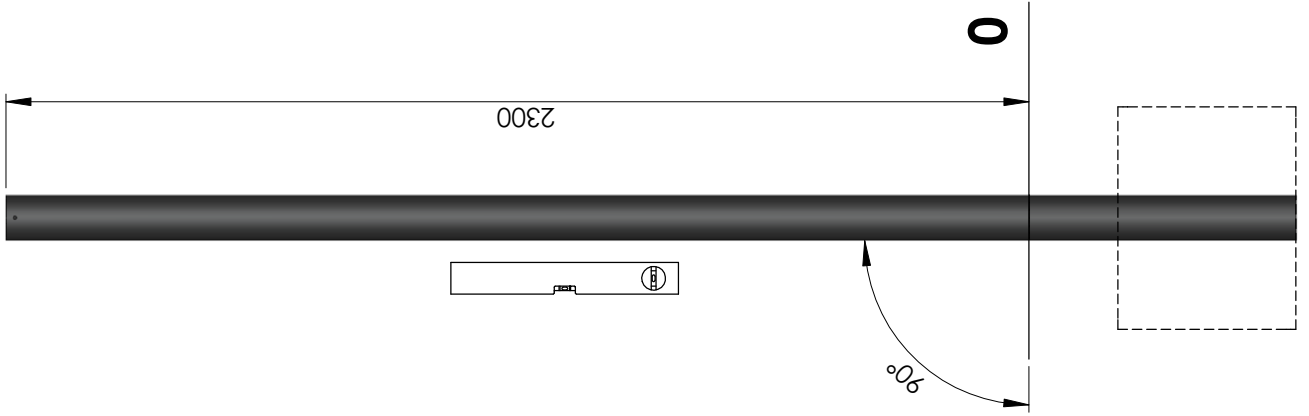


Réf	Qté
ET3754OF	1
ET3755GA	2
LA22201N	8
LI37117	1
LI37125	1
M8310N	8
M8440N	8
M10440N	6
M12503N	6
MI2510N	2
SA3757	1
U3713	1
VBTR6x25	8
VCBHCM10x60I	2
VEFBM6	8
VEFM8	14
VFHCM8x30	8
VFHCM8x70	4

3



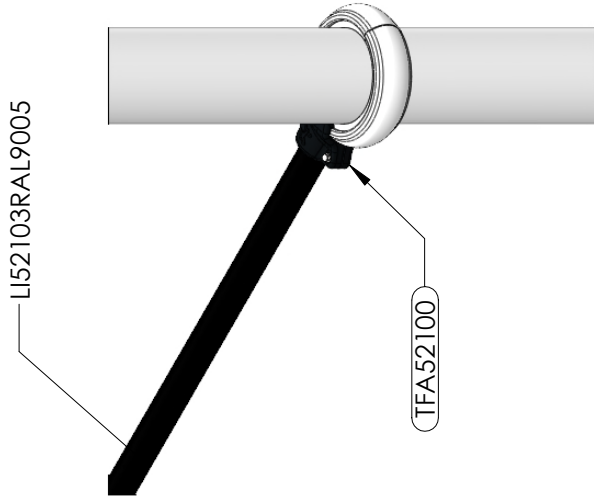
SA3757



LGP3704AN

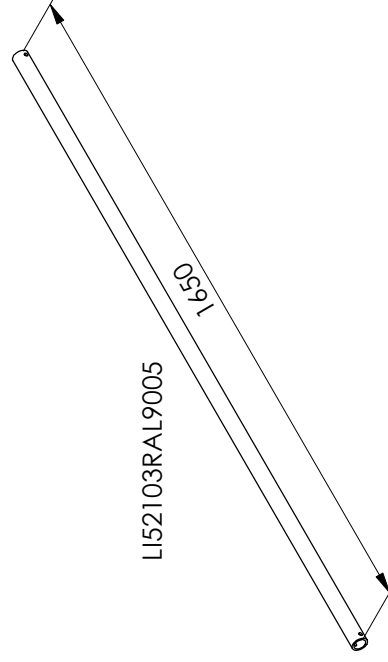
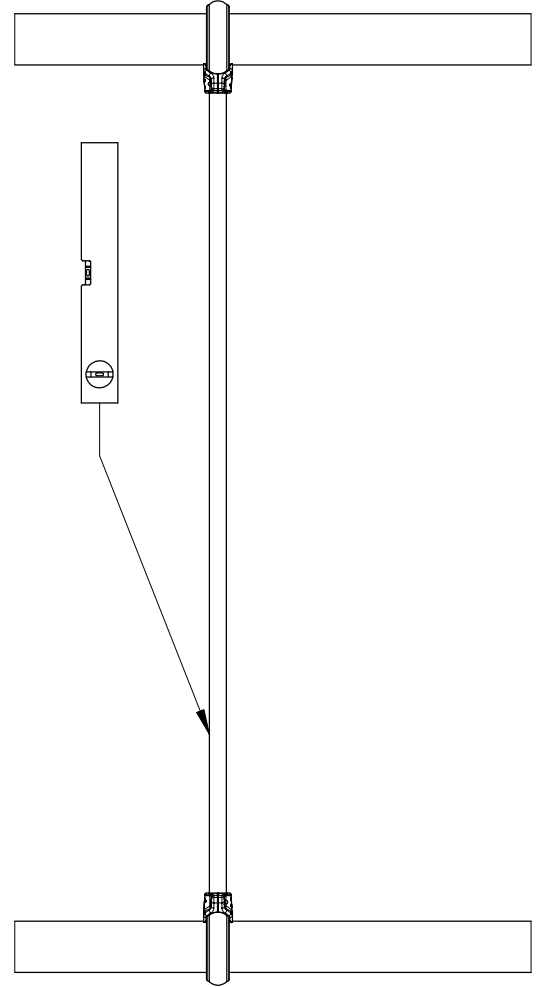


Réf	Qté
LGP3704AN	1



LI52103RAL9005

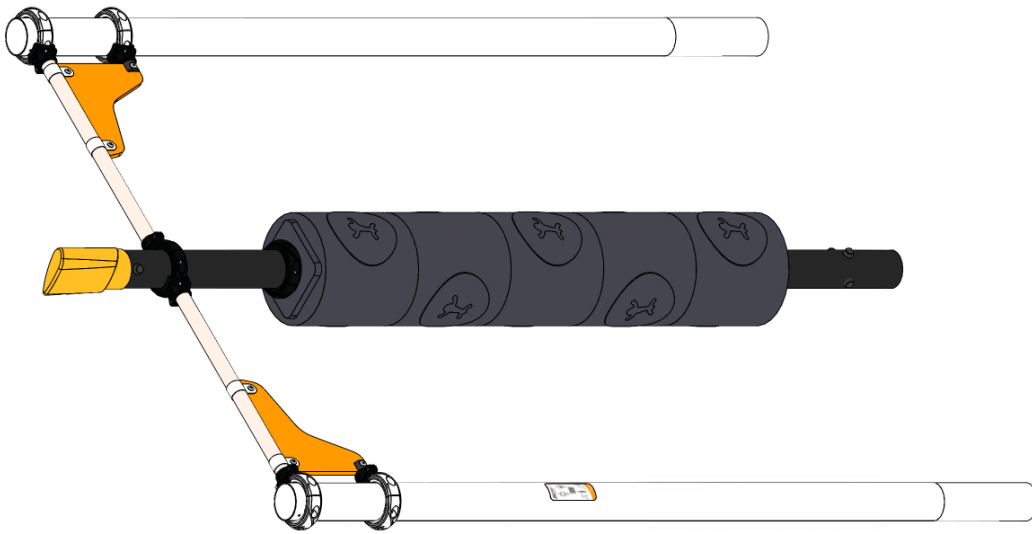
TFA-52100



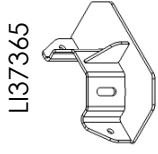
LI52103RAL9005

1650

Réf	Qté
LI52103RAL9005	1
LA22201N	4
VBTR 6x25	4
VEFBM6	4
LI52101	2

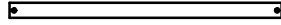


LGP37227N



LI37365

LI37361



M3700



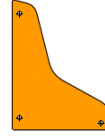
SA3765



M3710 N



ET3764OF



M22201

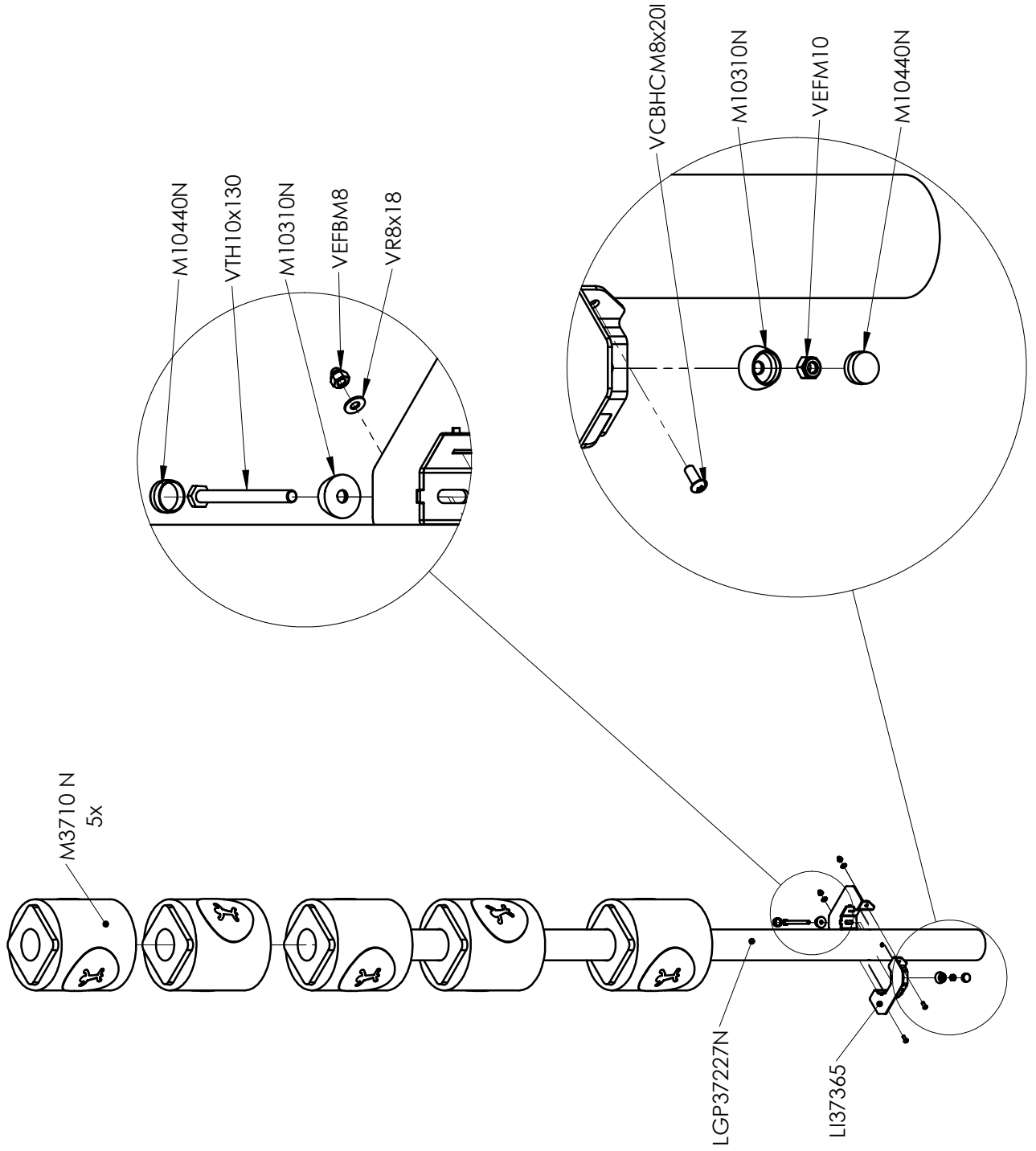


LI4505



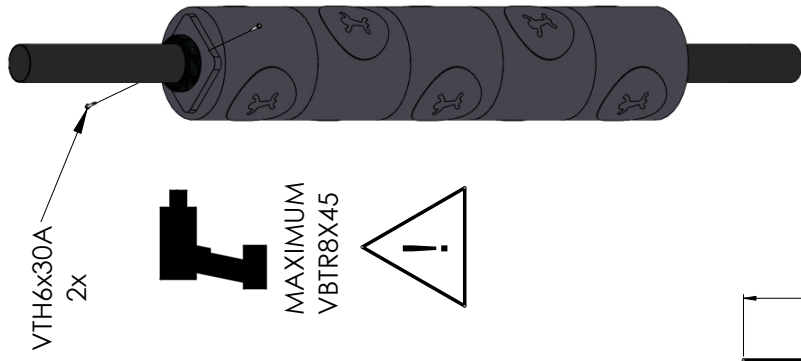
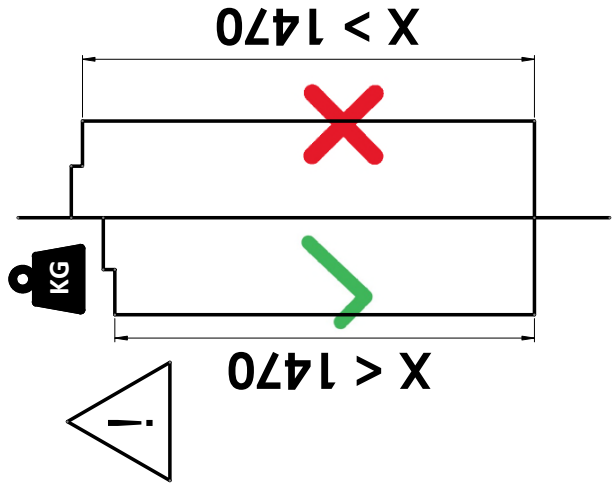
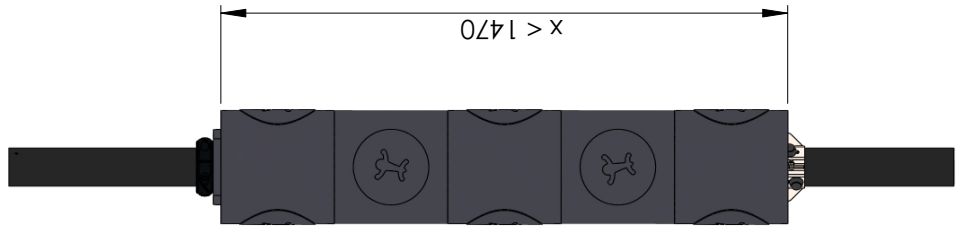
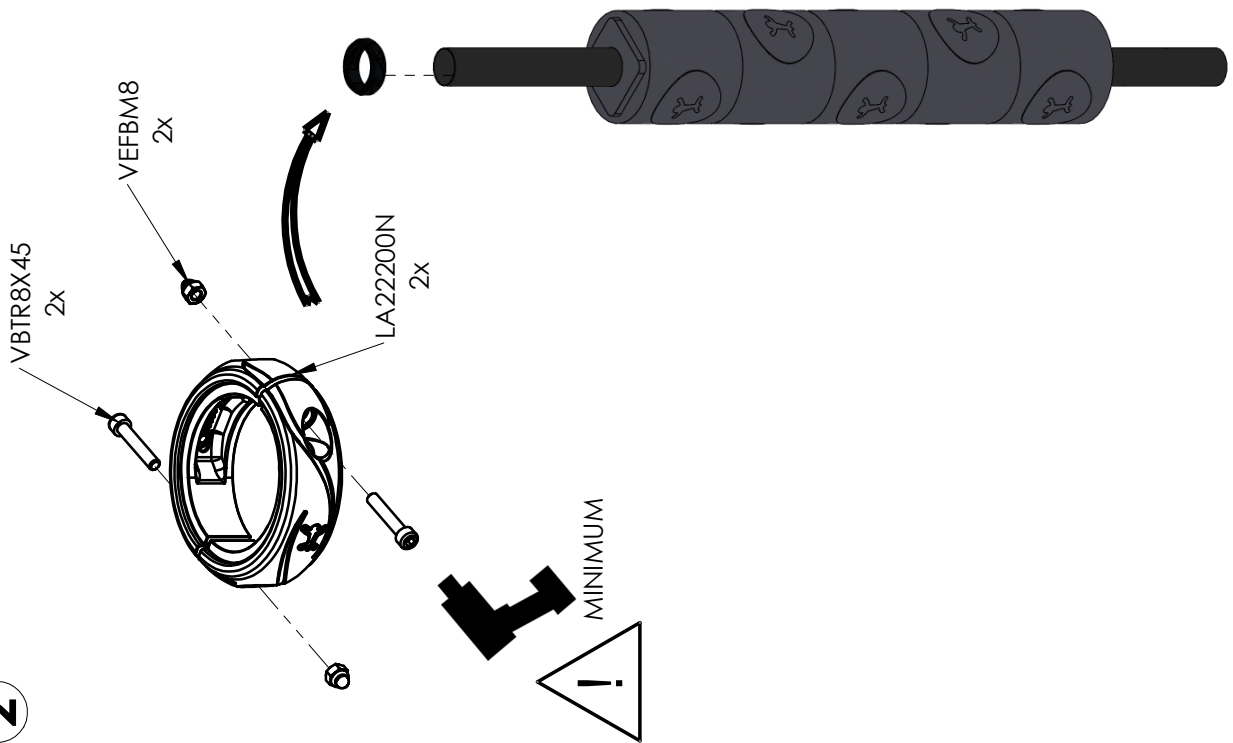
Réf	Qté
ET3764OF	2
LA22200N	4
LA22201N	12
LGP37227N	1
LI4505	4
LI37361	2
LI37365	2
M3700	1
M3710 N	5
M8310N	2
M8440N	2
M10310N	8
M10440N	8
M22201	2
M12508N	2
SA3765	1
VBTR6x25	12
VBTR8X45	4
VCBHC8x20I	2
VCBHC8x30I	2
VCBHC10x30I	4
VEDM8	2
VEFBM6	12
VEFBM8	6
VEFM10	6
VR8x18	2
VTH6x30A	4
VTH10x130	2

1



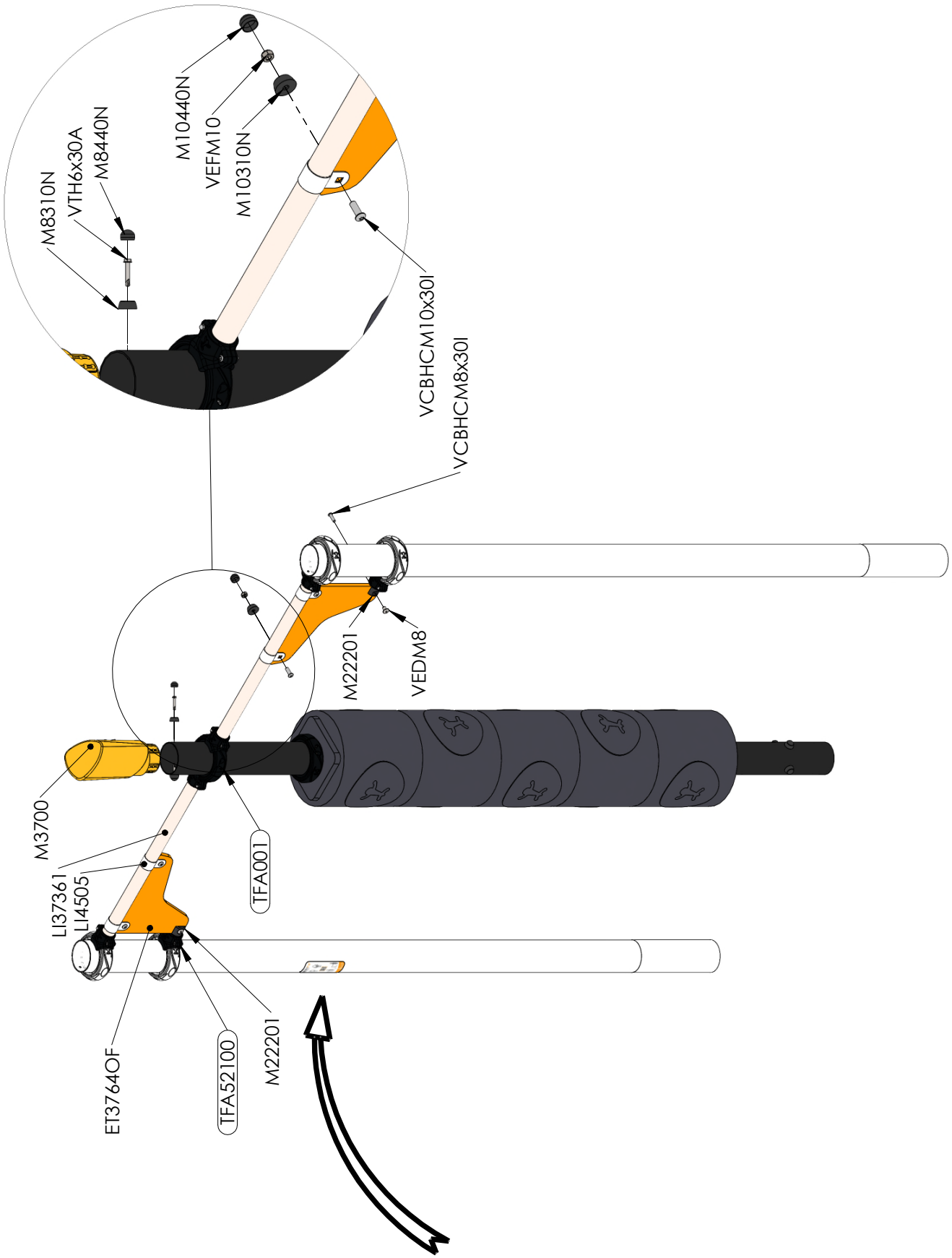


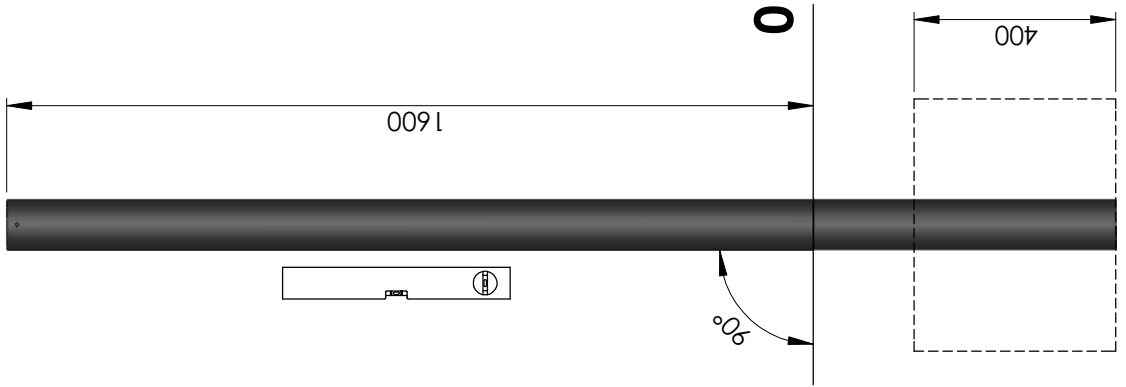
2



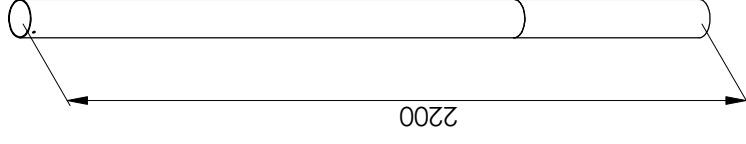
MAXIMUM  
VBTR8X45

3

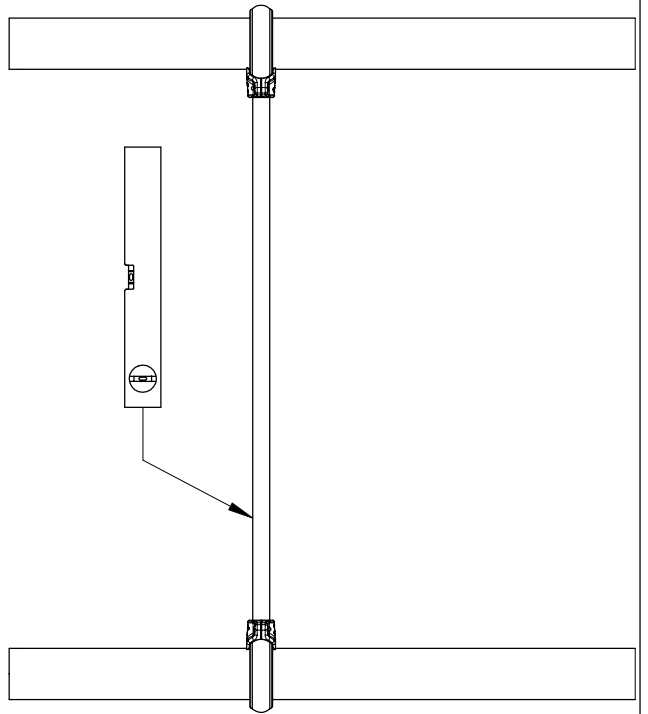
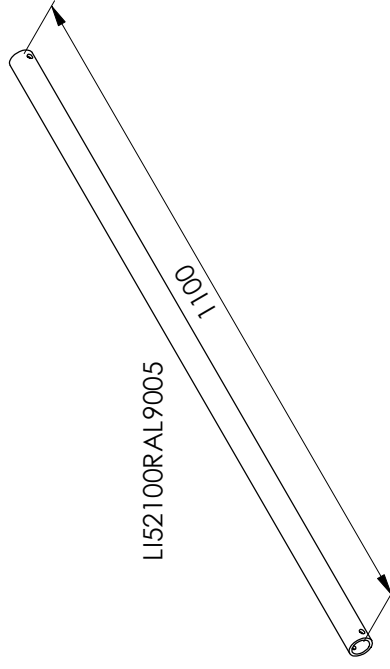
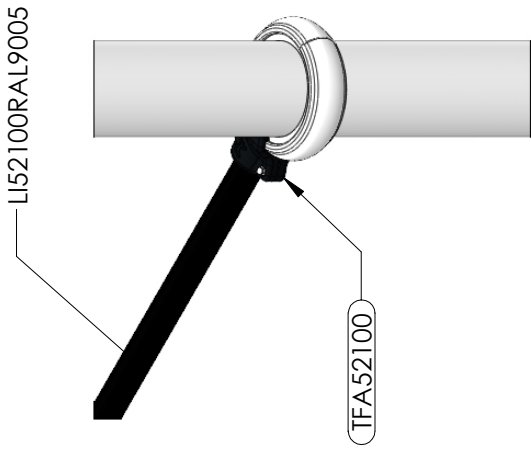




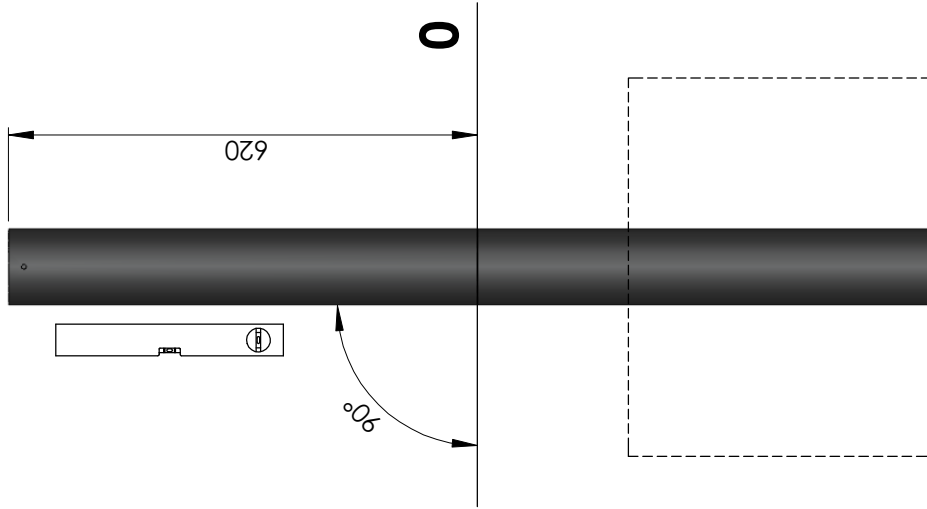
LGP3702AN



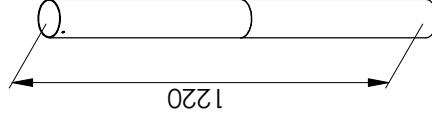
Réf	Qté
LGP3702AN	1



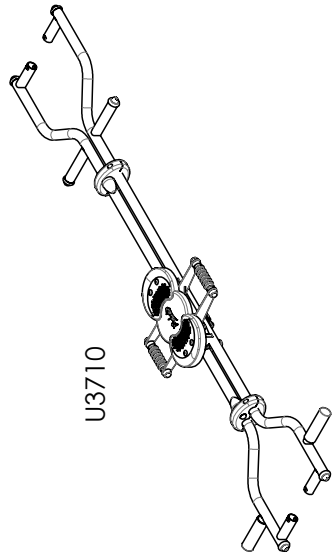
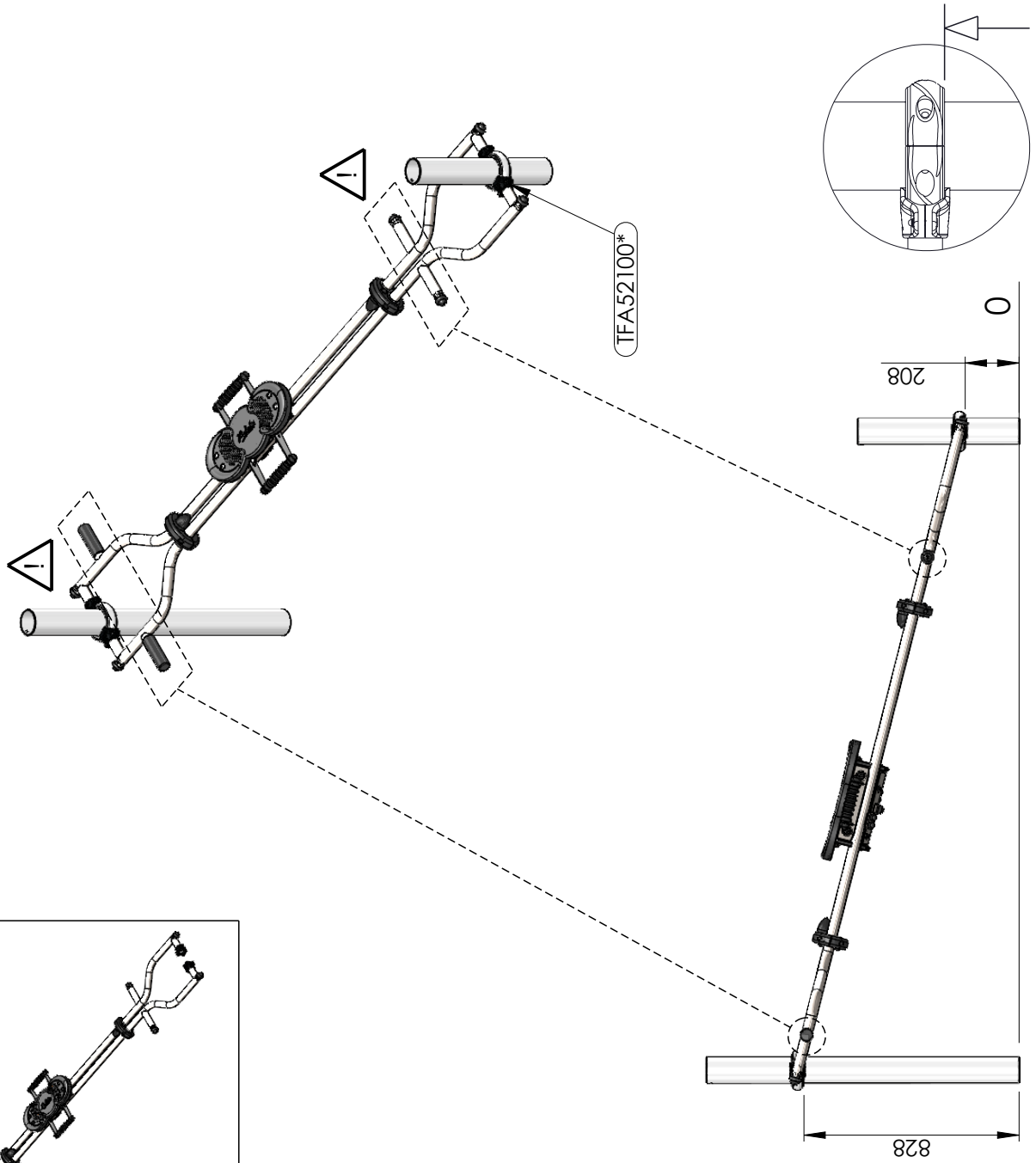
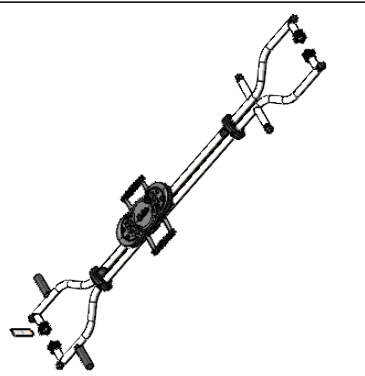
Réf	Qté
LA22201N	4
LI52100RAL9005	1
LI52101	2
VBTR6x25	4
VEFBM6	4



LGP3700AN



Réf	Qté
LGP3700AN	1



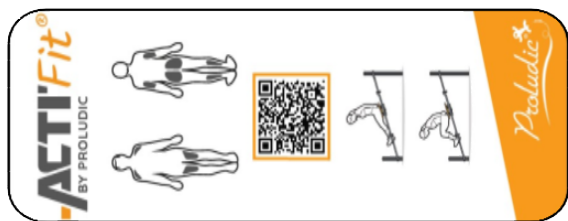
U3710

LA22201N

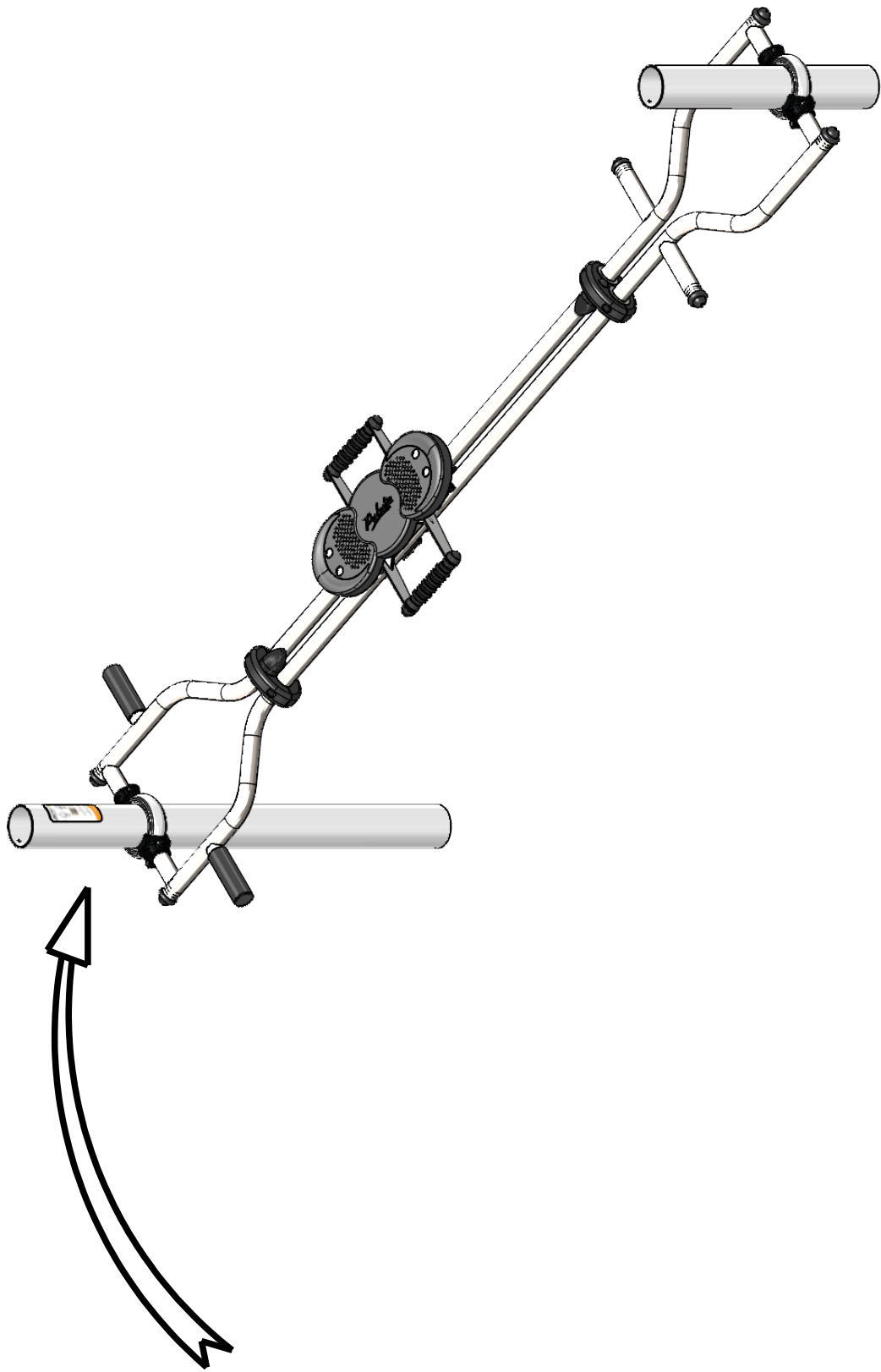


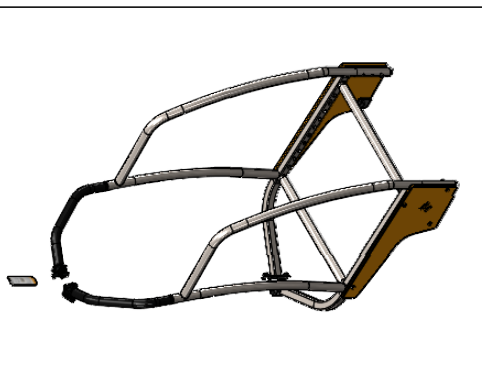
SA3761

Réf	Qté
LA22201N	8
SA3761	1
U3710	1
VBTR6x25	8
VEFBM6	8

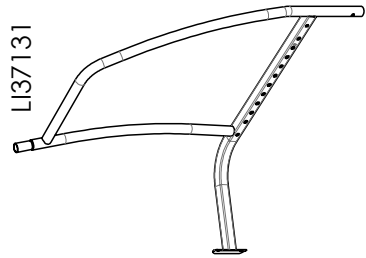
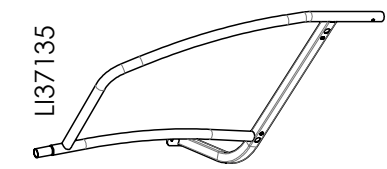
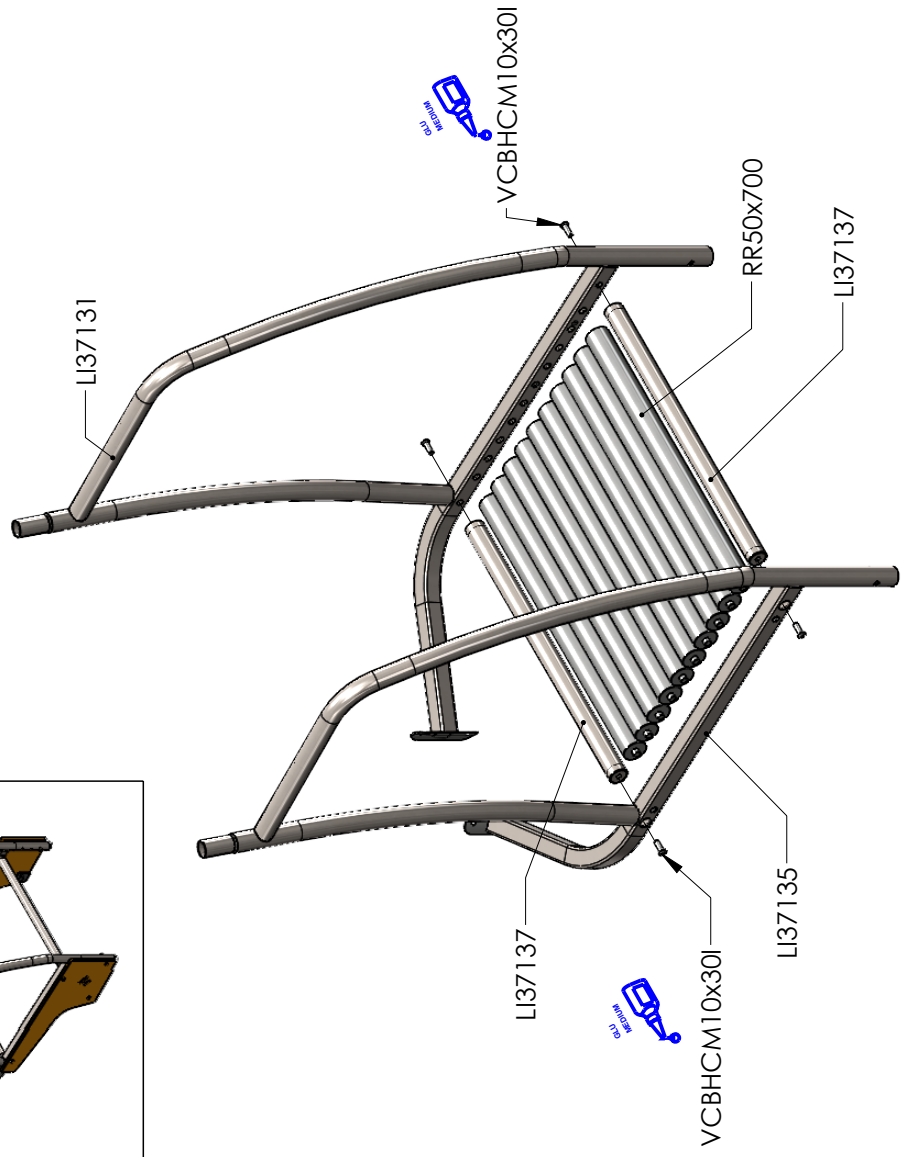


SA3761





1

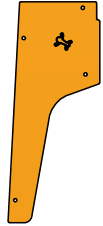


LI37138RAL9005



SA3756

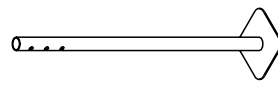
ET3759OF



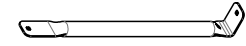
ET3758OF



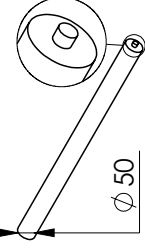
LG4502



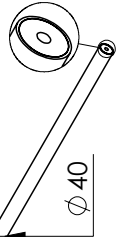
LG08



RR50x700



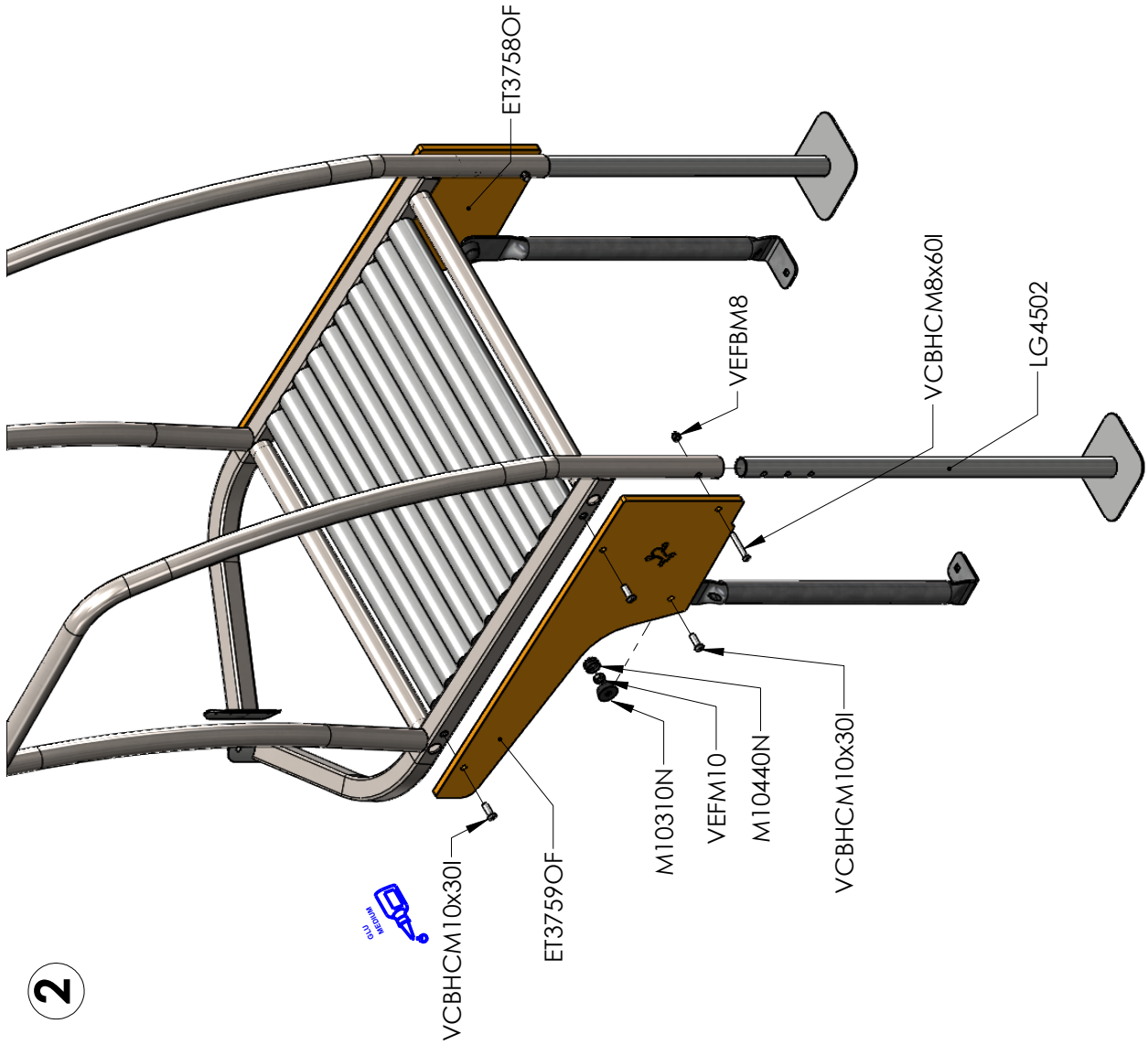
LI37137



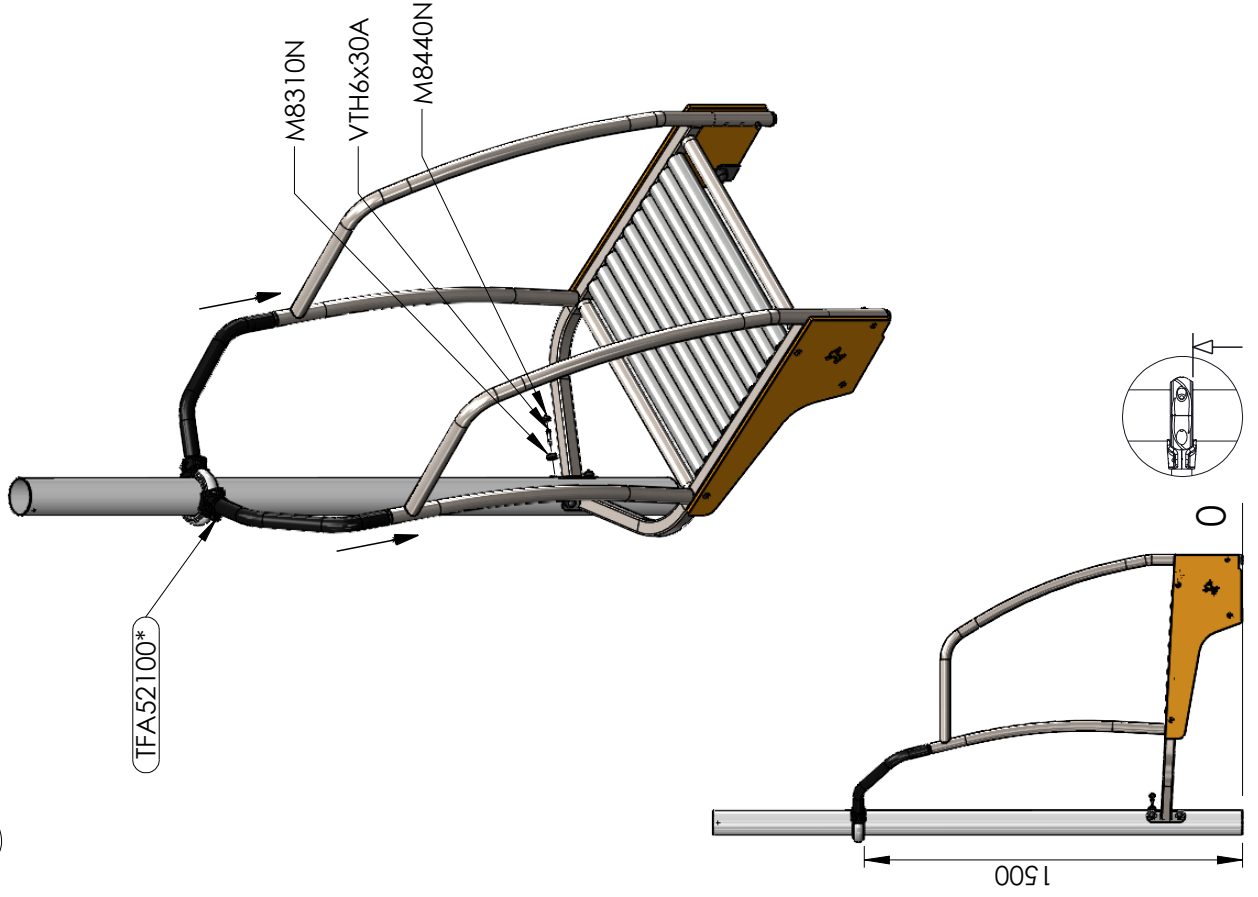
Réf	Qté
ET3758OF	1
ET3759OF	1
LA22201N	4
LG08	2
LG4502	2
LI37131	1
LI37135	1
LI37137	2
LI37138RAL9005	2
M8310N	4
M8440N	4
M10310N	2
M10440N	2
RR50x700	10
SA3756	1
VBTR6x25	4
VCBHCM8x60I	2
VCBHCM10x30I	10
VEFBM6	4
VEFBM8	2
VEFM10	2
VTH6x30A	4



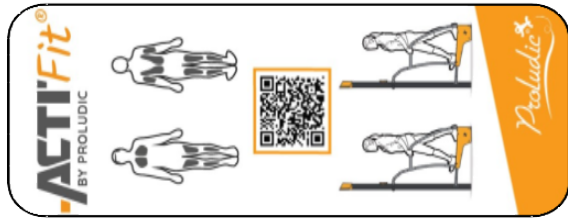
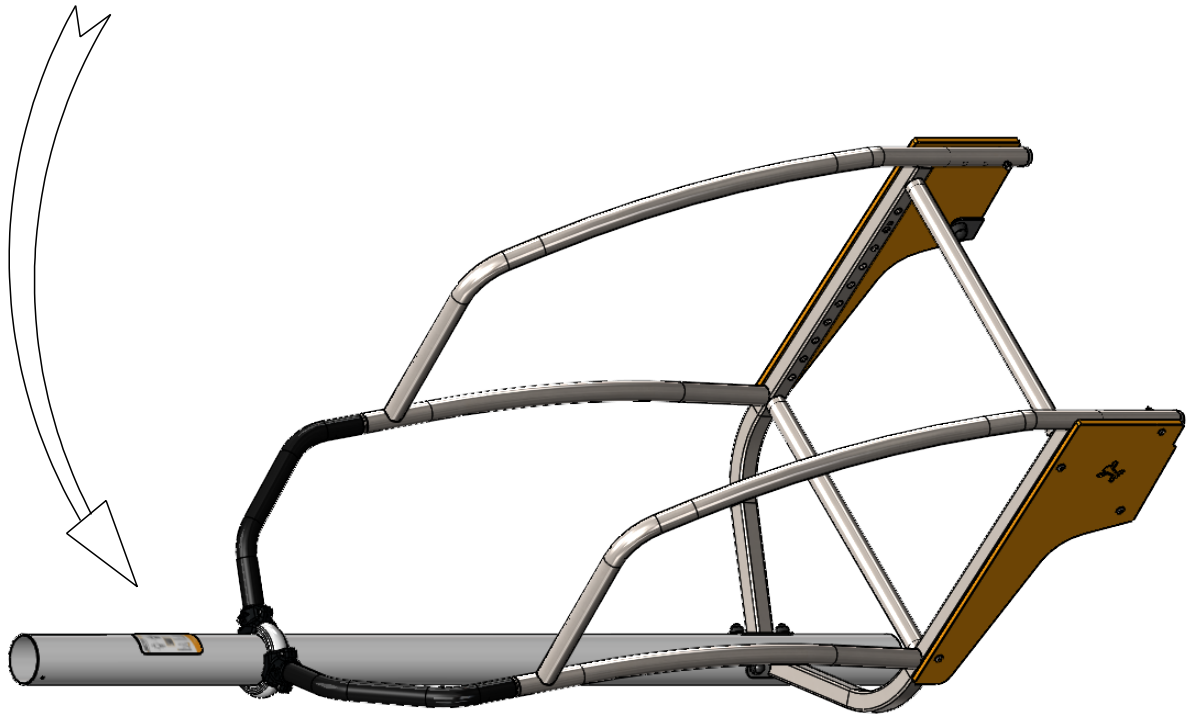
2



3

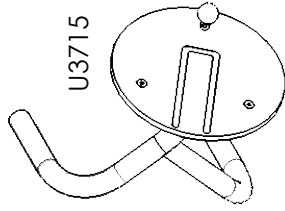
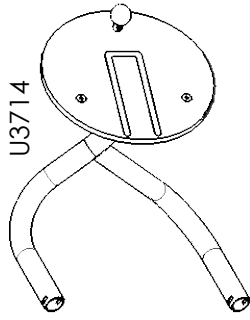
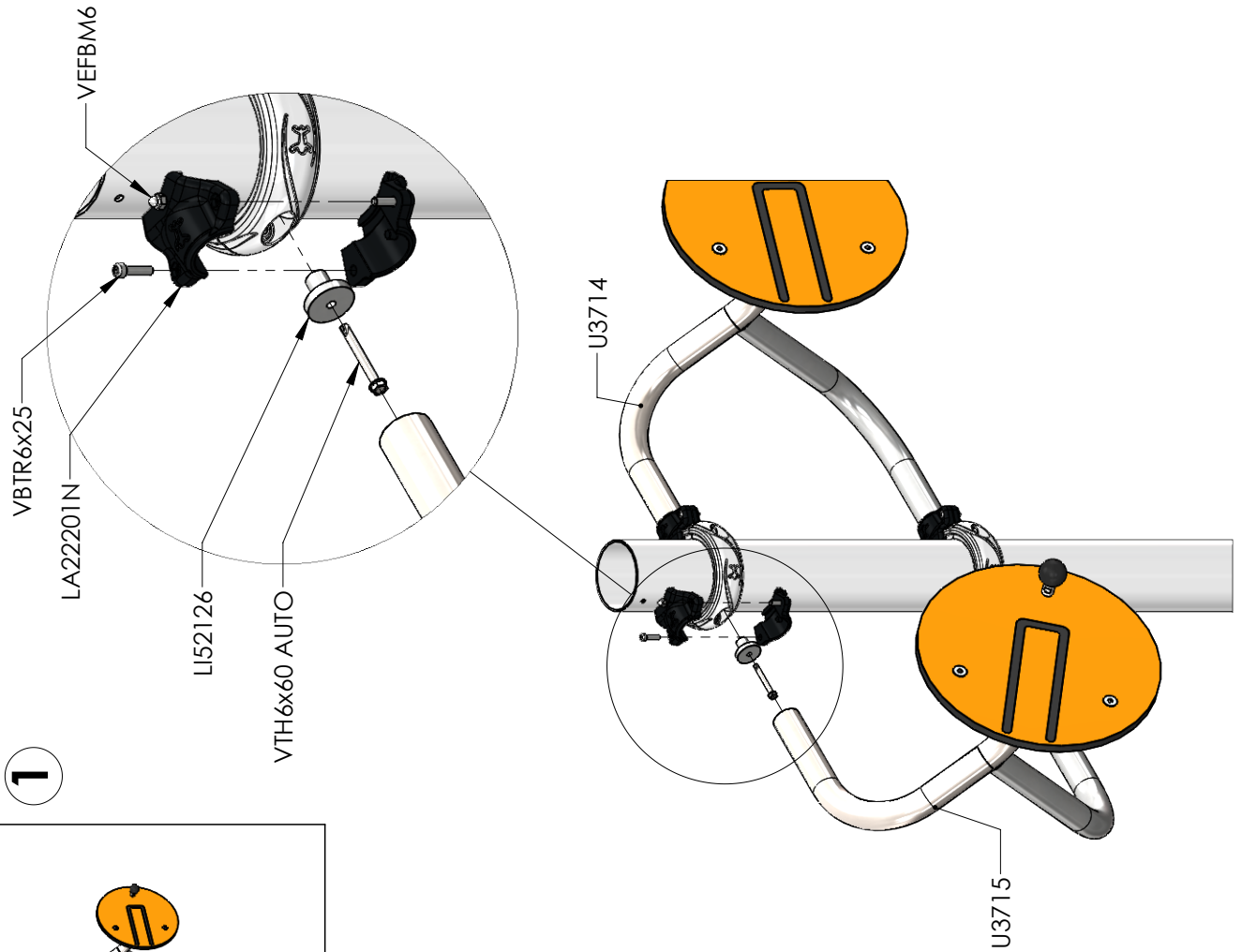
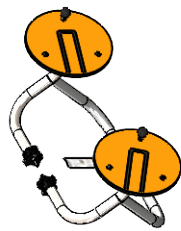


4



SA3756

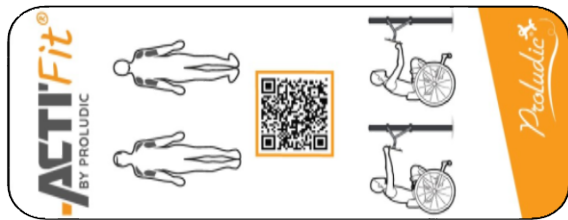
1



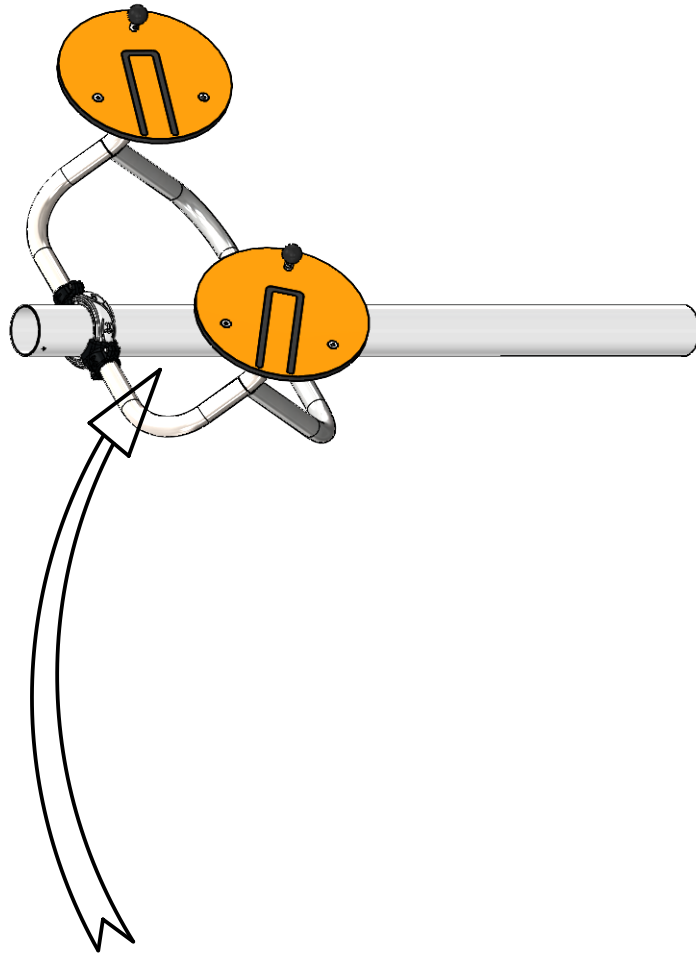
SA3768

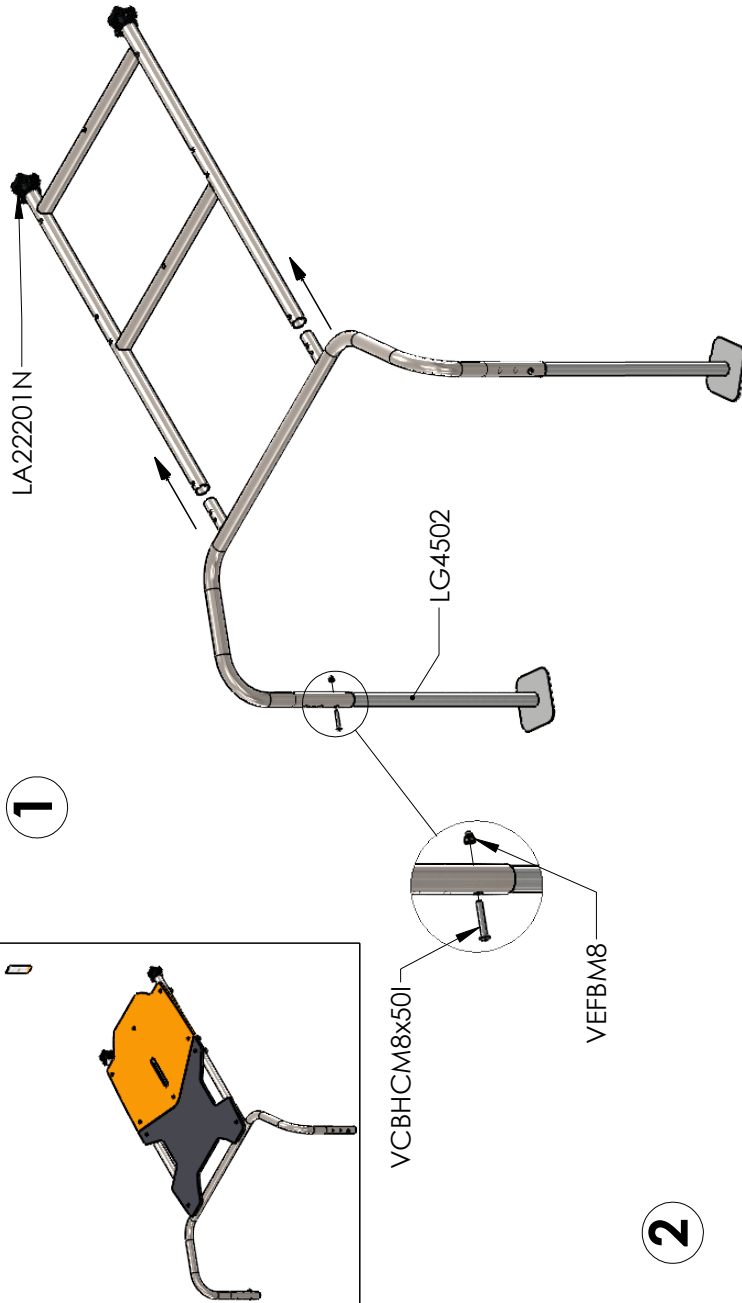
Réf	Qté
LA22201N	8
U3714	1
U3715	1
LI52126	4
SA3768	1
VBTR6x25	8
VEFBM6	8
VTH6x60 AUTO	4

2

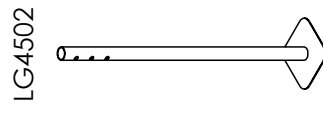
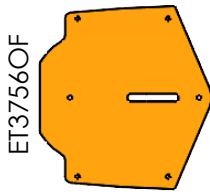
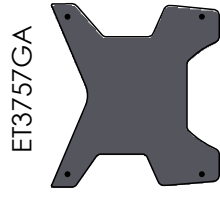
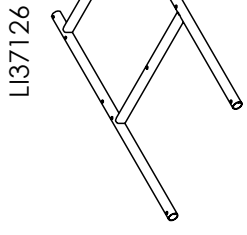
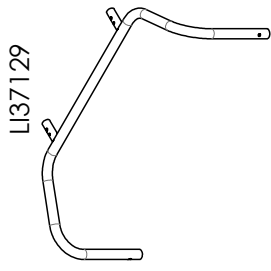
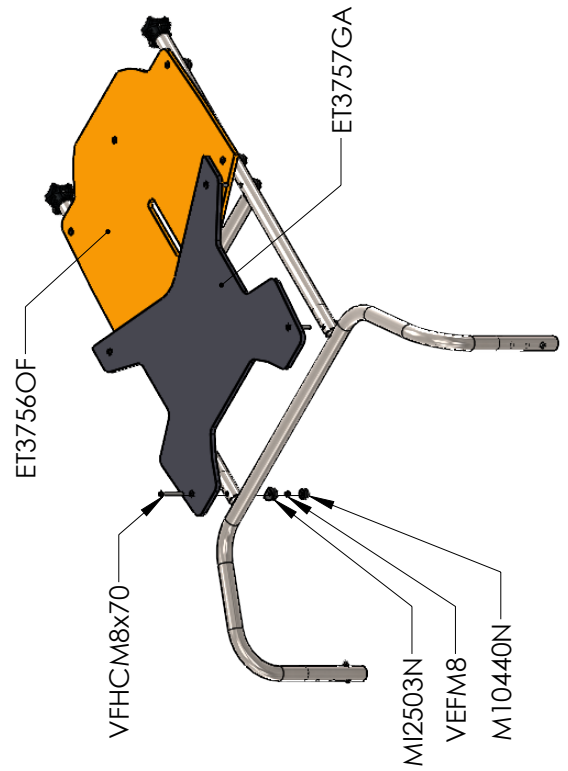


SA3768

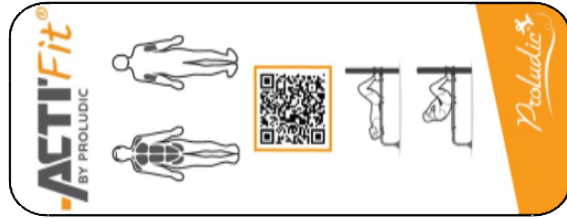
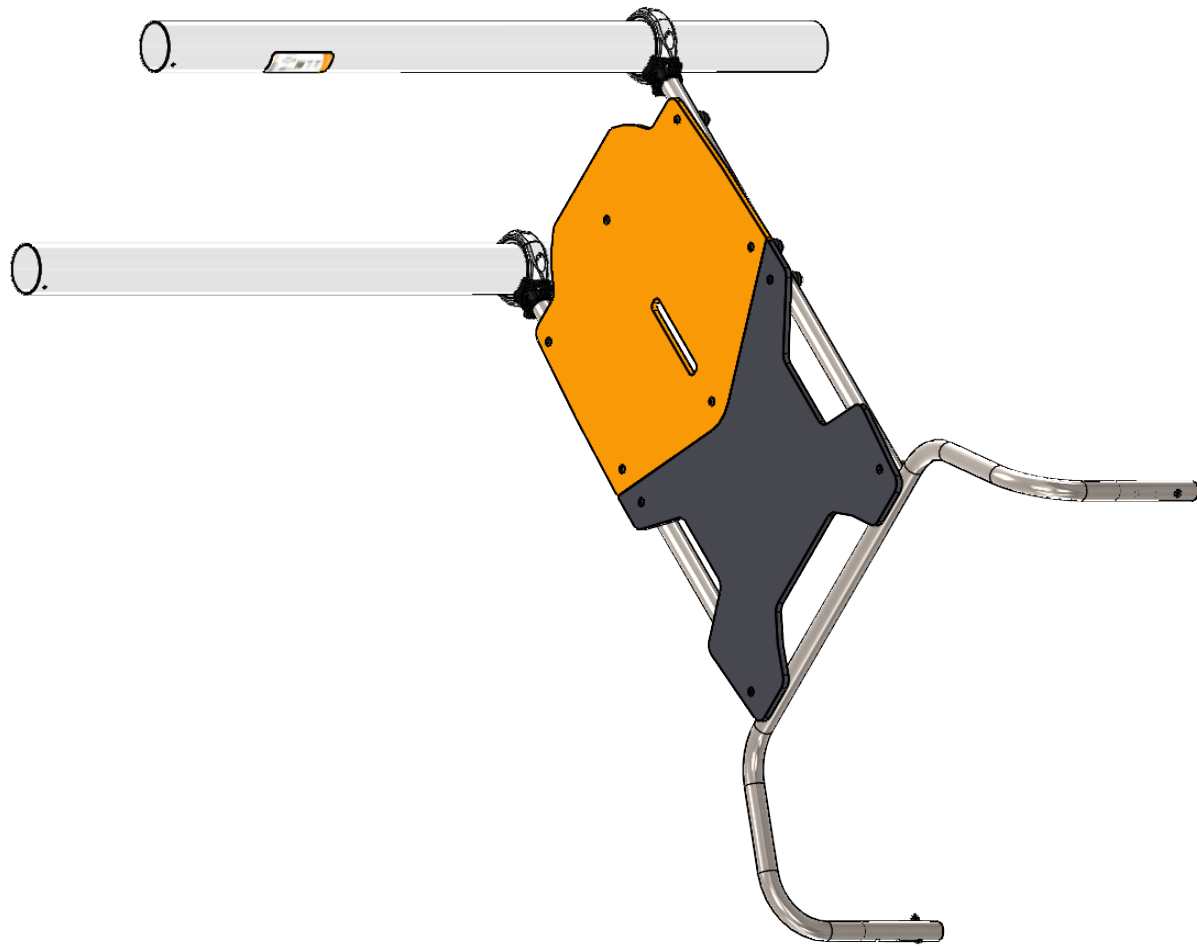




2



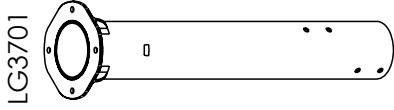
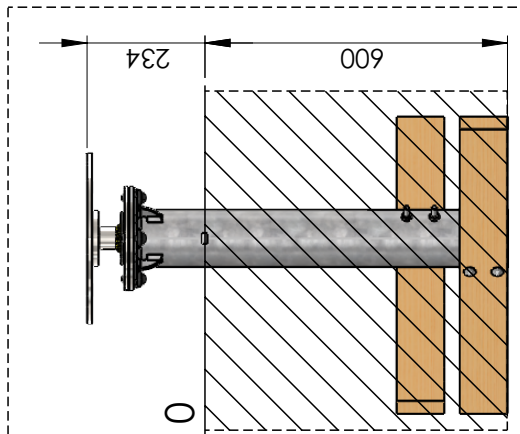
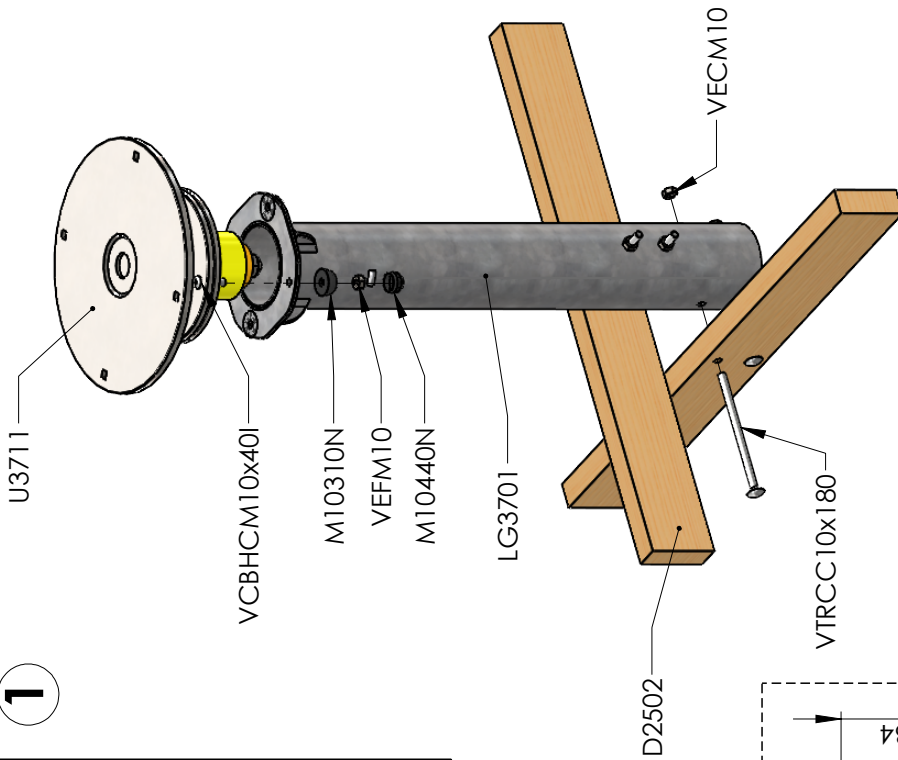
Réf	Qté
ET3756OF	1
ET3757GA	1
LA22201N	4
LG4502	2
LI37126	1
LI37129	1
M10440N	10
M12503N	10
SA3755	1
VBTR6x25	4
VCBHC8x50I	2
VEFBM6	4
VEFBM8	2
VEFM8	10
VFHC8x70	10



SA3755

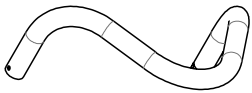


1

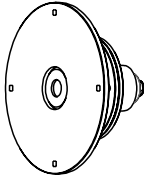


LG3701

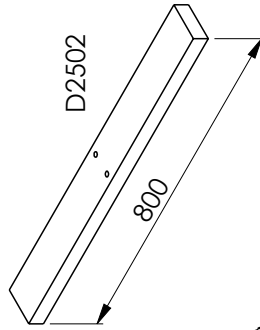
LI37148



U3711



R3701



D2502

800



SA3762



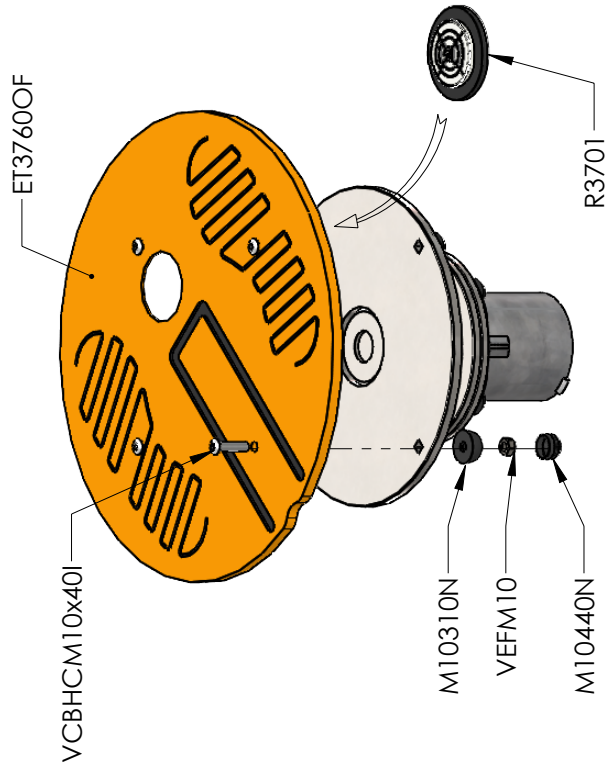
LA22201N



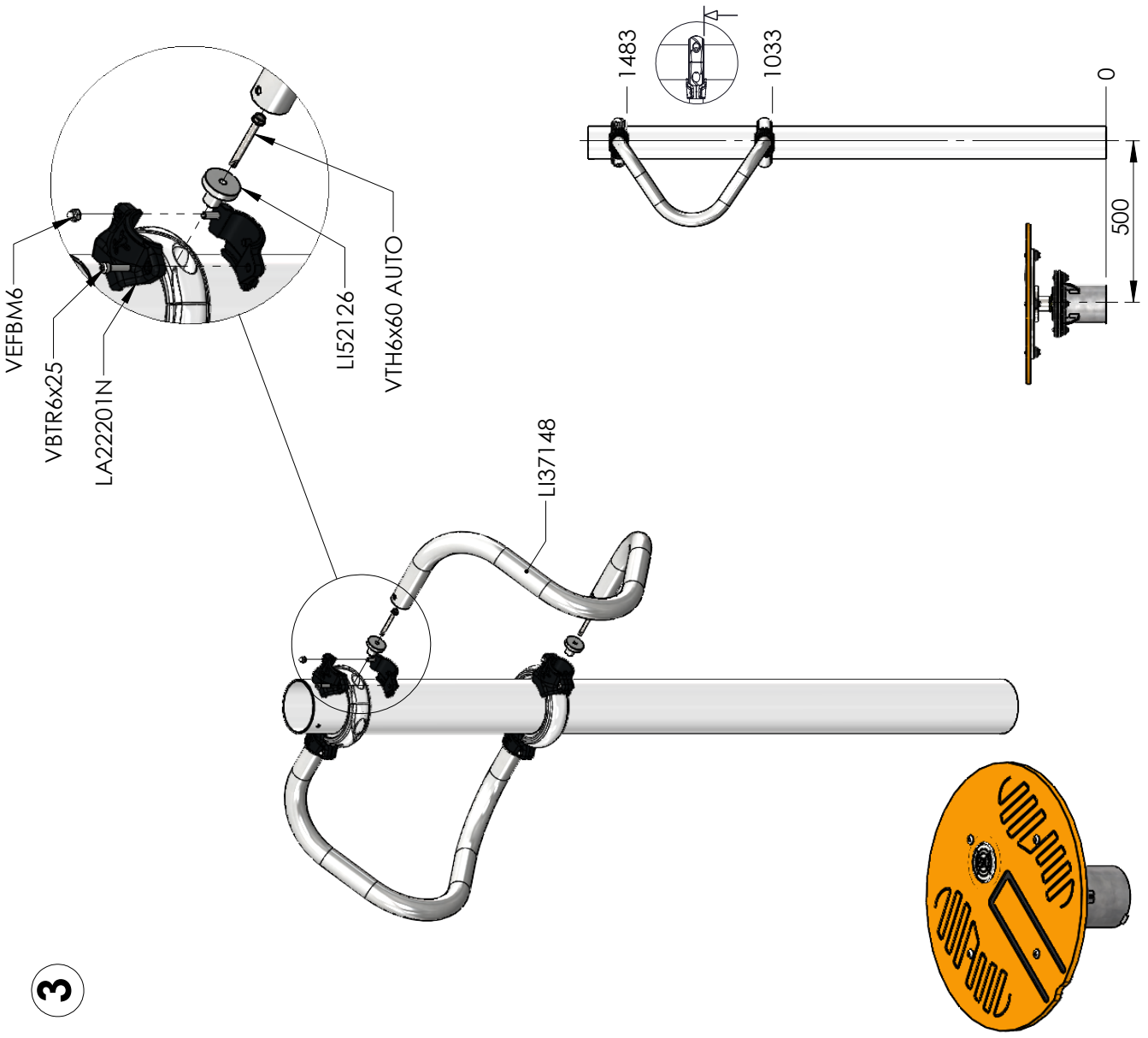
LI52126

Réf	Qté
D2502	2
ET3760OF	1
LA22201N	8
LG3701	1
LI37148	2
LI52126	4
M10310N	8
M10440N	8
R3701	1
SA3762	1
U3711	1
VBTR6x25	8
VCBHCM10x40I	8
VECM10	4
VEFBM6	8
VEFM10	8
VTH6x60 AUTO	4
VTRCC10x180	4

2

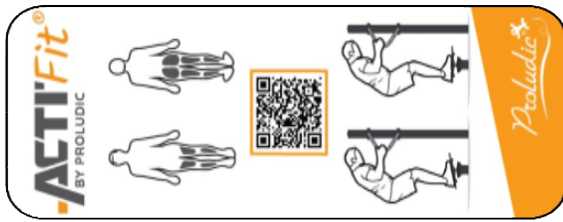


3

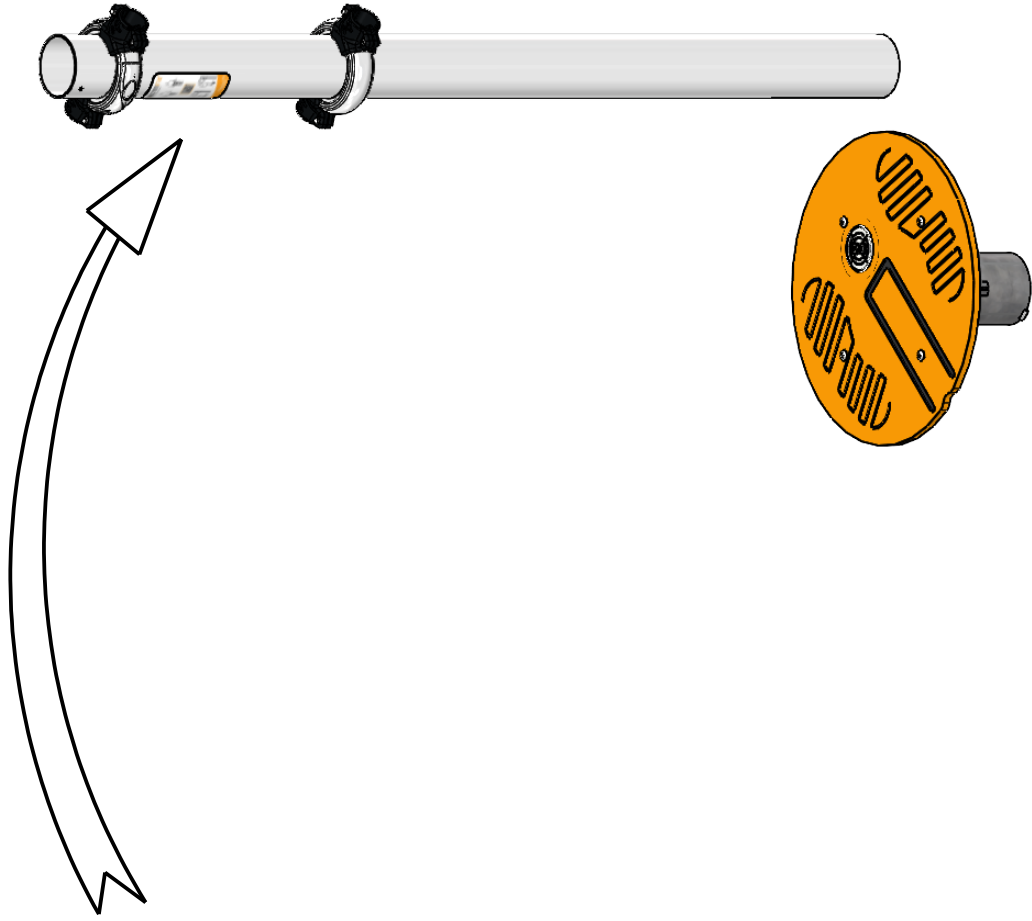


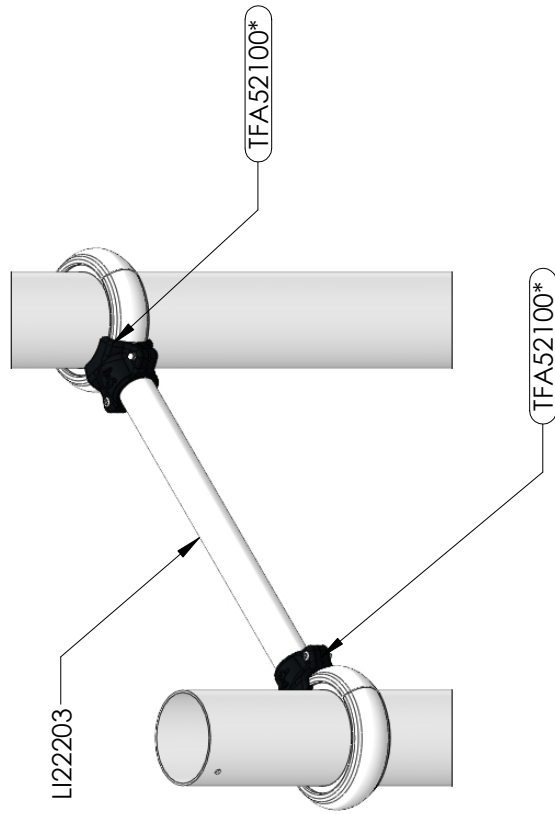


4

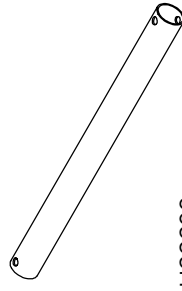


SA3762

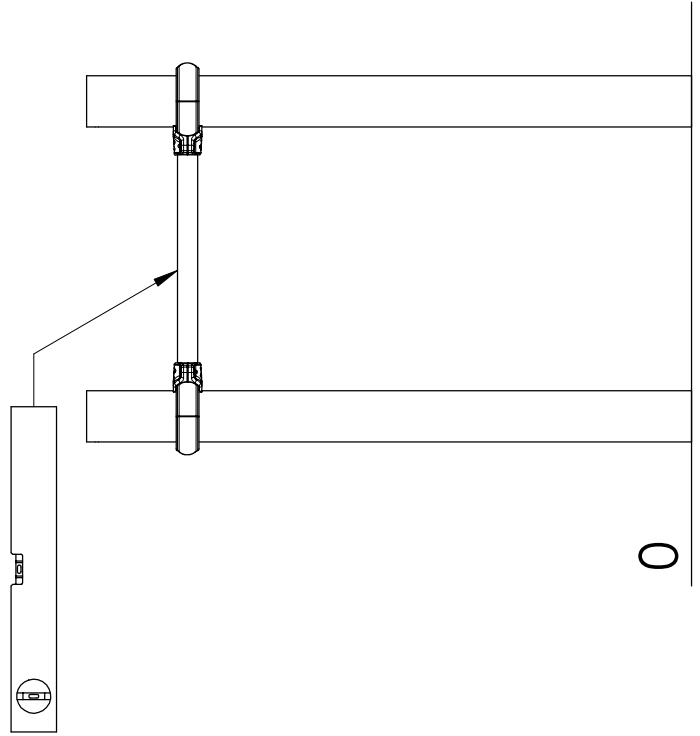




LA22201N

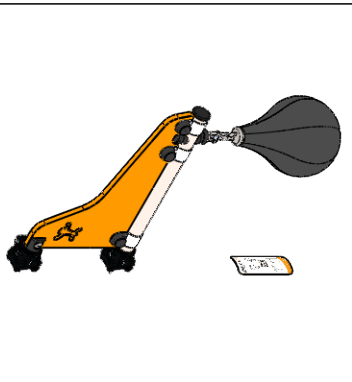


LI22203

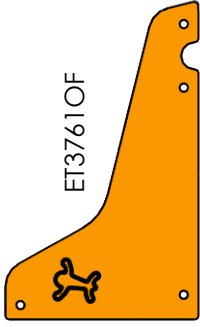
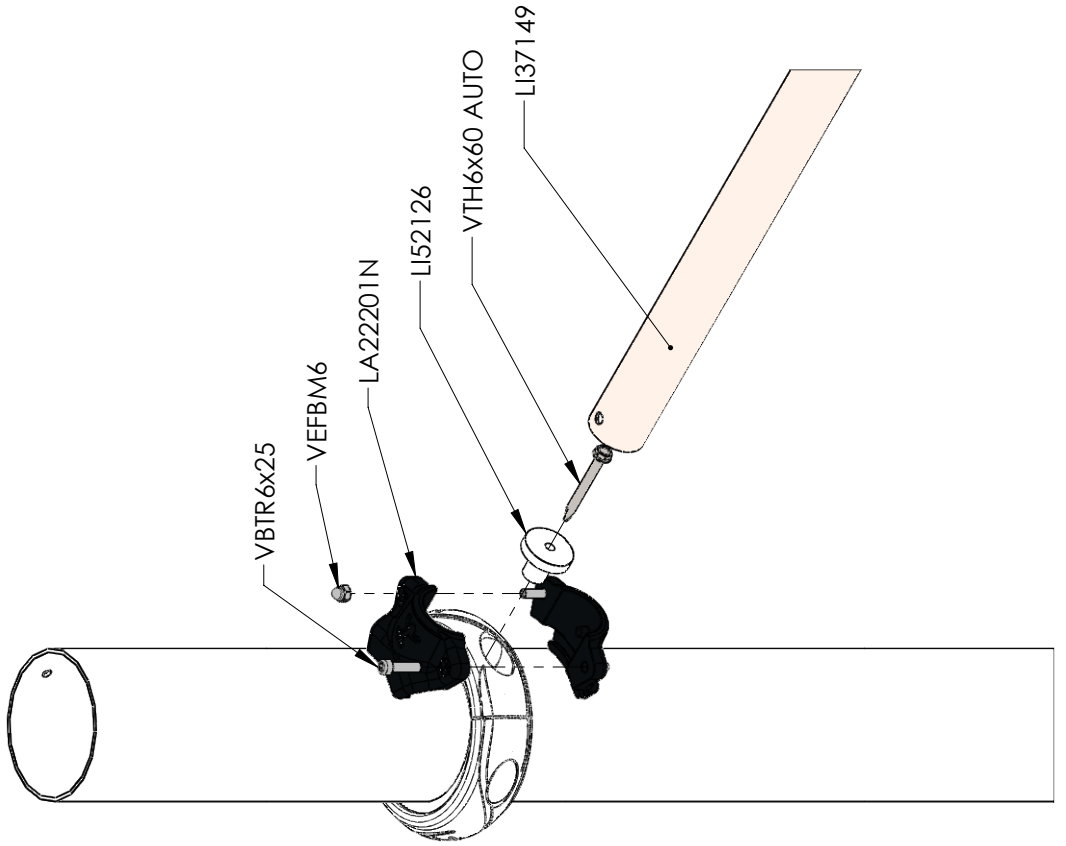


0

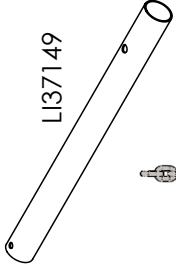
Réf	Qté
LA22201N	4
LI22203	1
VBTR6x25	4
VEFBM6	4



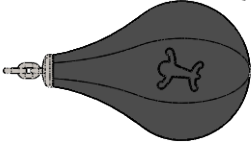
1



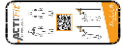
ET3761OF



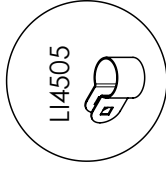
LI37149



M3711N



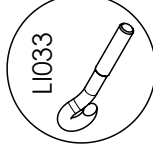
SA3764



LI4505



LI52126

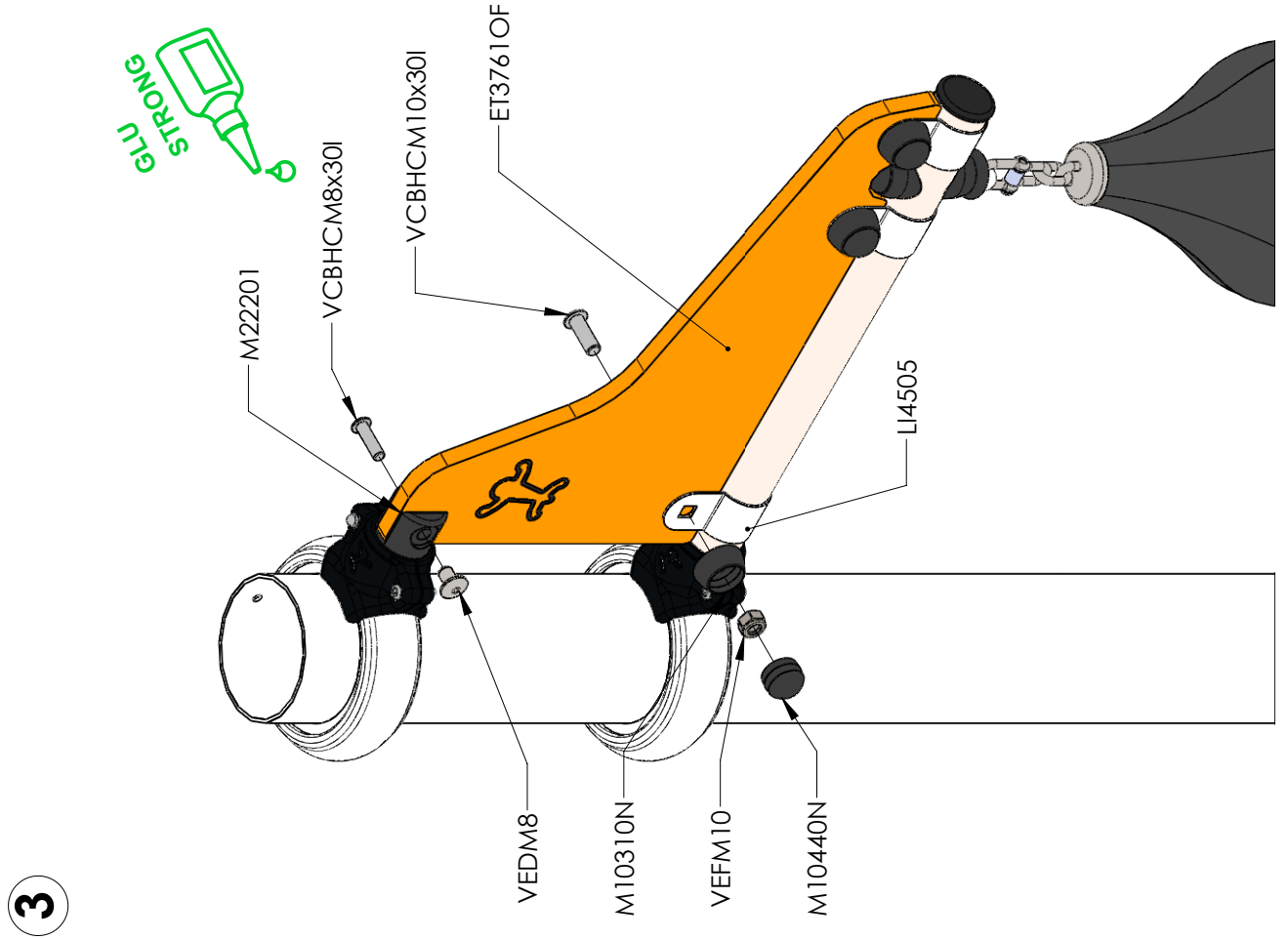
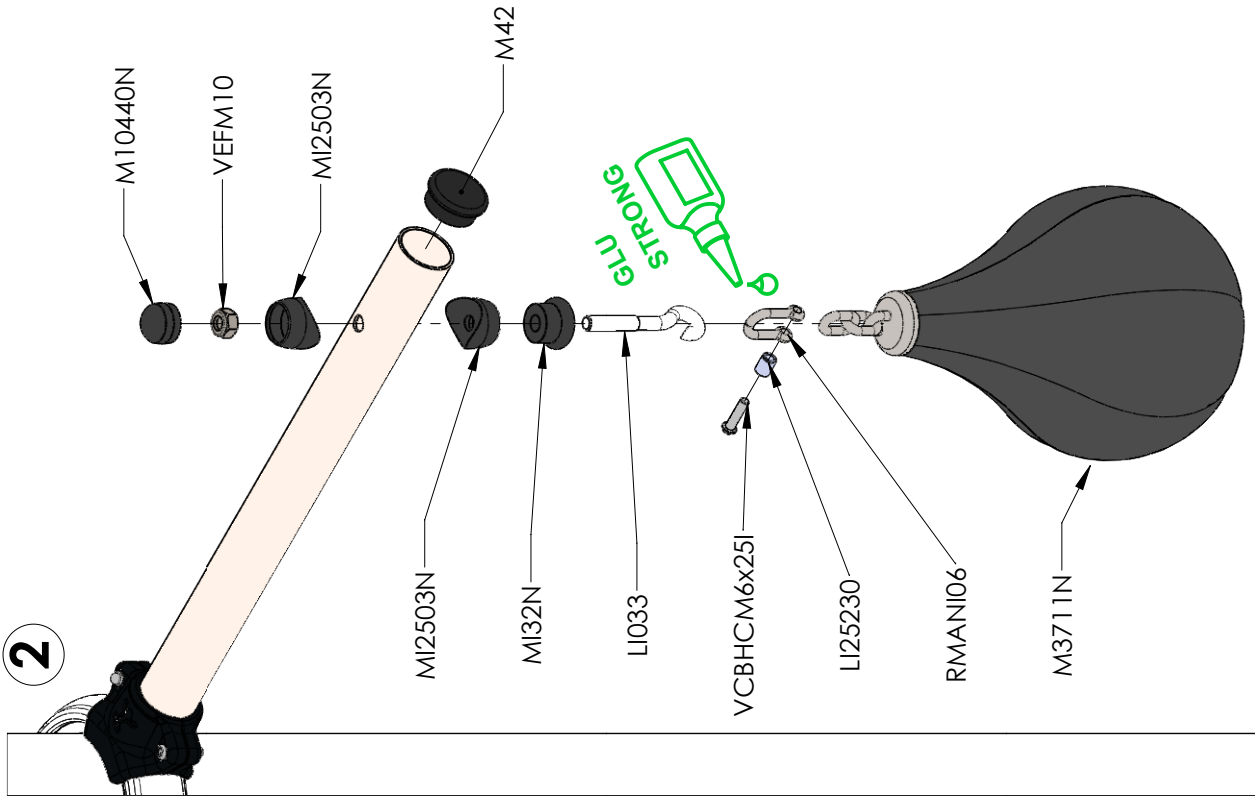


LI033

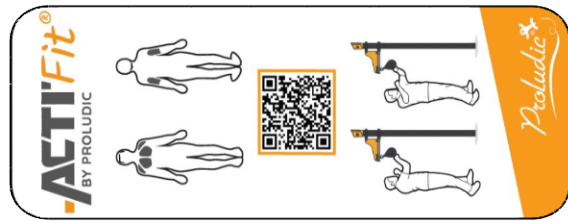


LA22201N

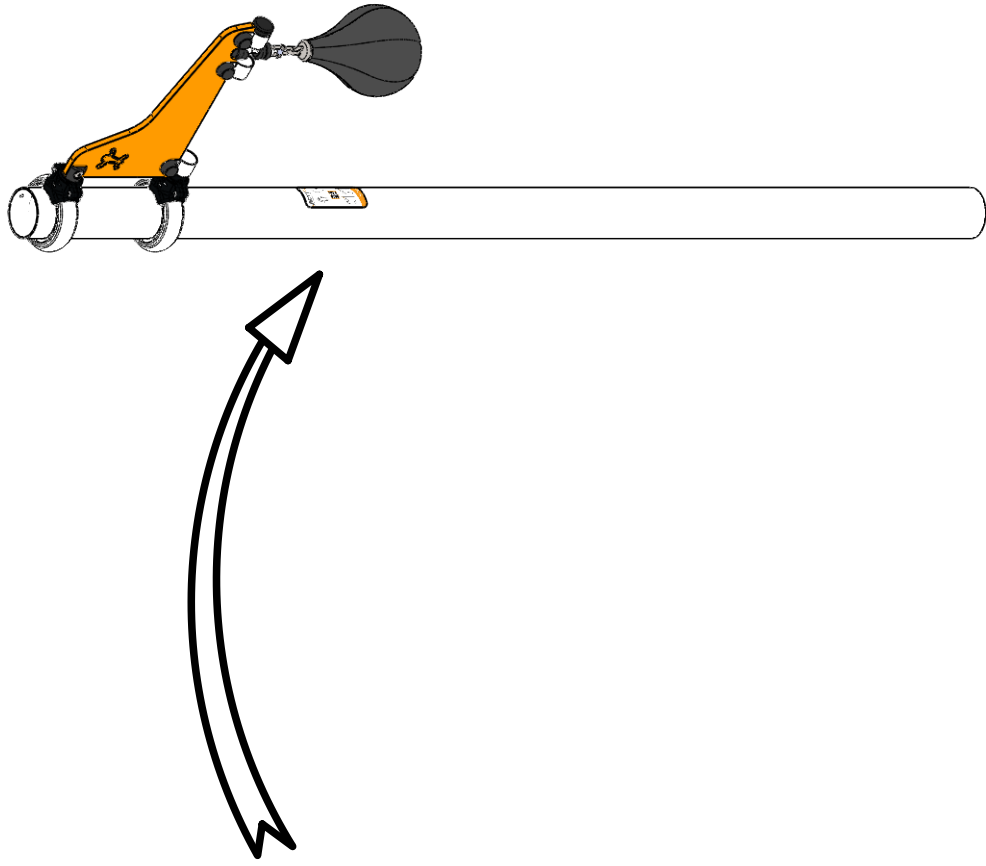
Réf	Qté
ET3761OF	1
LA22201N	4
LI033	1
LI4505	3
LI25230	1
LI37149	1
LI52126	1
M42	1
M10310N	3
M10440N	4
M22201	1
MI32N	1
MI2503N	2
M3711N	1
RMANI06	1
SA3764	1
VBTR6x25	4
VCBHC6x25I	1
VCBHC8x30I	1
VCBHC10x30I	3
VEDM8	1
VEFBM6	4
VEFM10	4
VTH6x60 AUTO	1



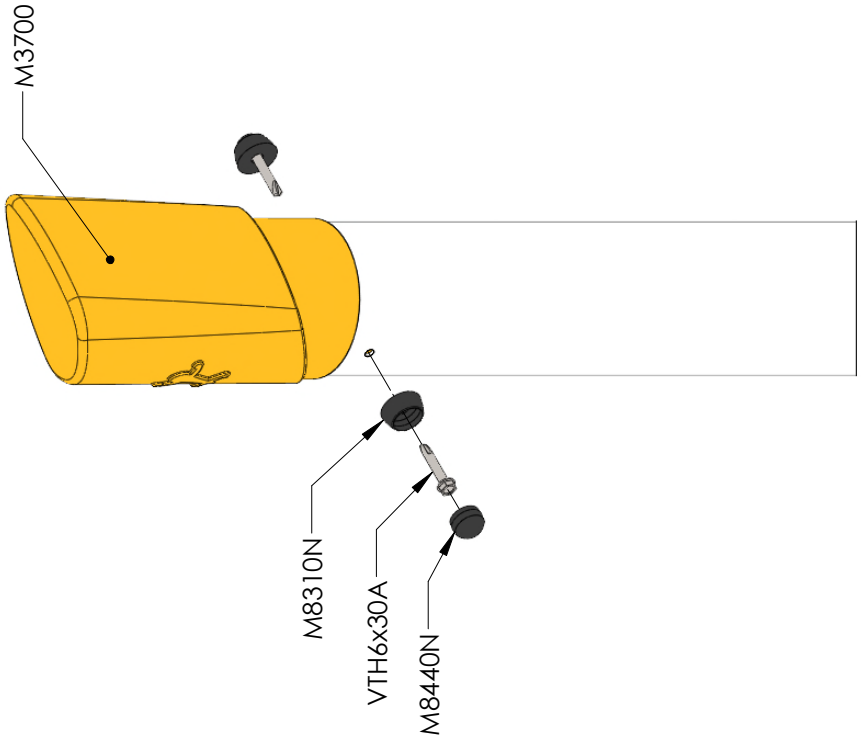
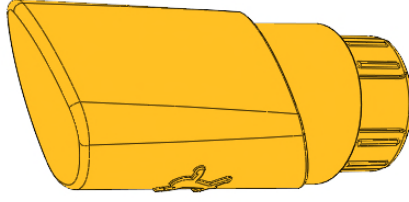
4



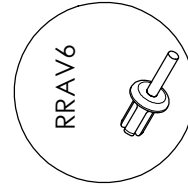
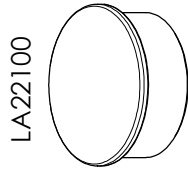
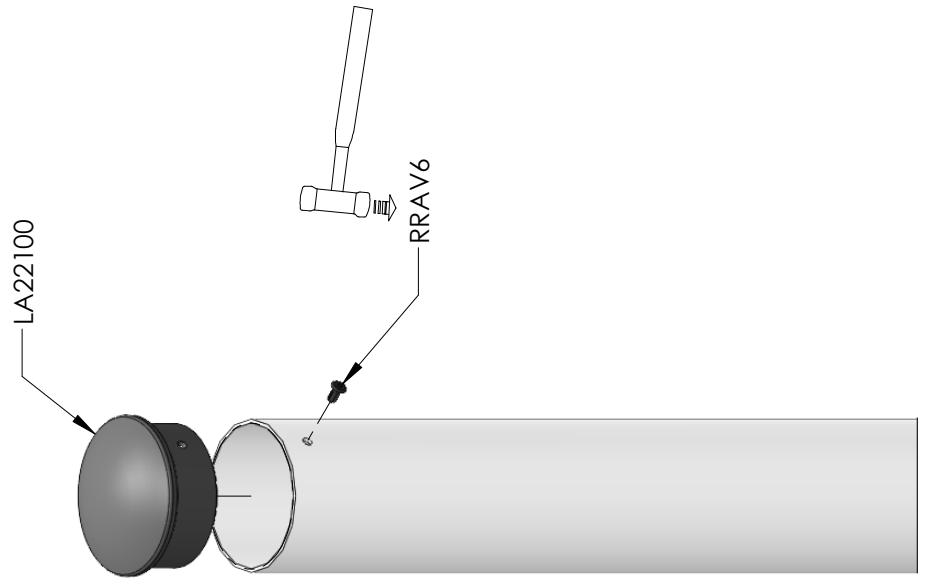
SA3764



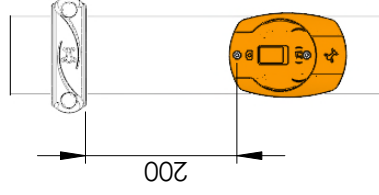
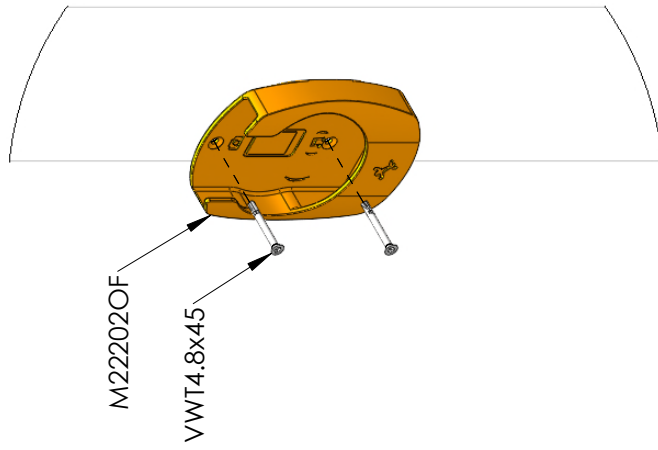
M3700



Réf	Qté
M3700	1
M8310N	2
M8440N	2
VTH6x30A	2



Réf	Qté
LA22100	1
RRAV6	1



Réf	Qté
M22202OF	1
VWT4.8x45	2